

We show only some examples of standard multi-axis assemblies.

We promptly produce custom connection plates and other accessories required for any non-standard assembly of 3 axis systems. Terms of delivery of the main items are not affected. At www.standa.it you will find other X-Y-Z assemblies.

7T38XYZ

3BP38 top view

7T167-25XYZ

- 1 Optical Tables
- 2 Brackets & Rails
- 3 Base Mounts & Accessories
- 4 Optical Mounts
- 5 Optical Positioners
- 6 Base Positioners
- 7 Translation & Rotation Stages
- 8 Motorised Positioners & Controllers
- 9 Fine Adjustment Screws
- 10 Opto-Mechanics & Sets
- 11 Light Test & Measurement Instruments
- 12 Lasers & Laser Accessories



e-mail: sales@standa.it

www.standa.it



Phone: +370-5-2651474

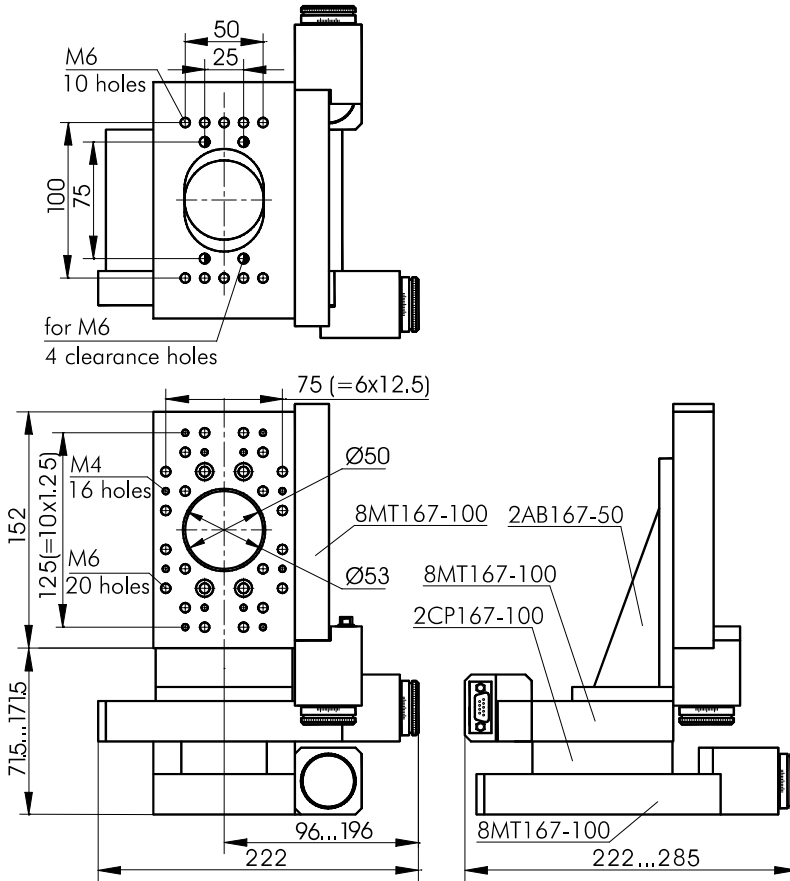
Fax: +370-5-2651483



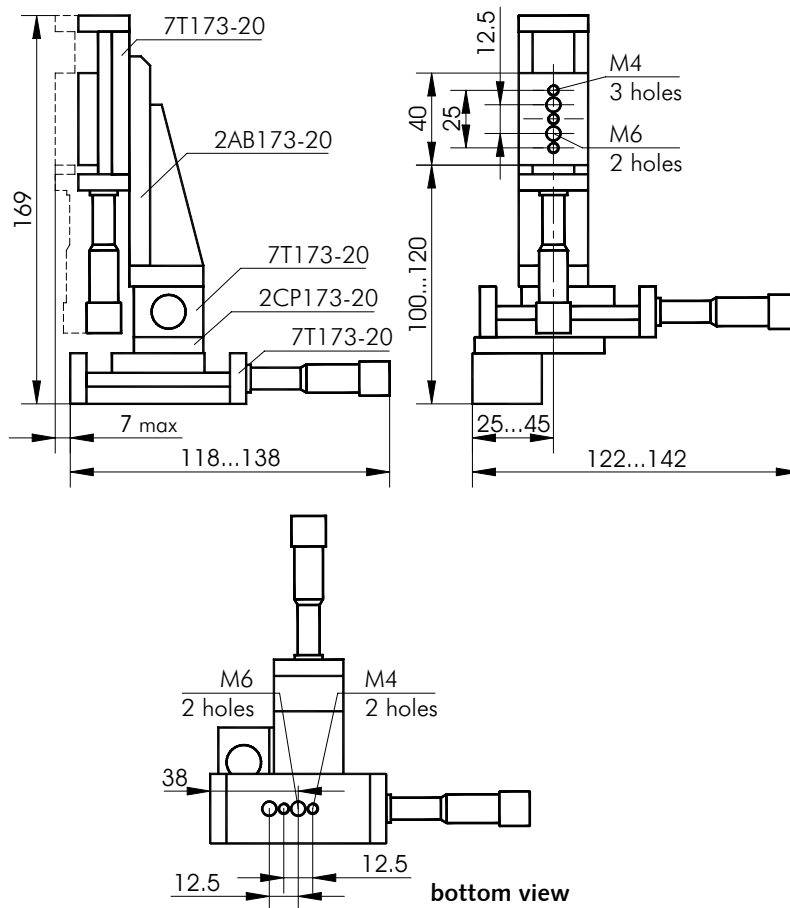
standa



8MT167-100XYZ



7T173-20XYZ

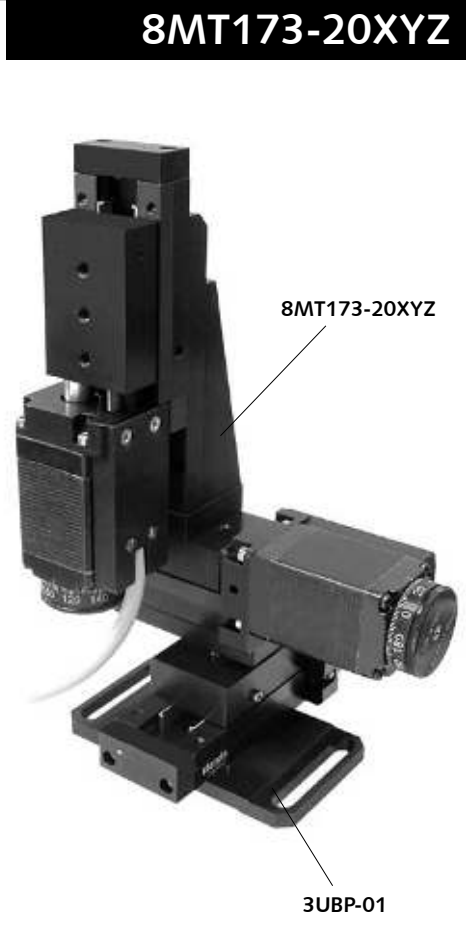
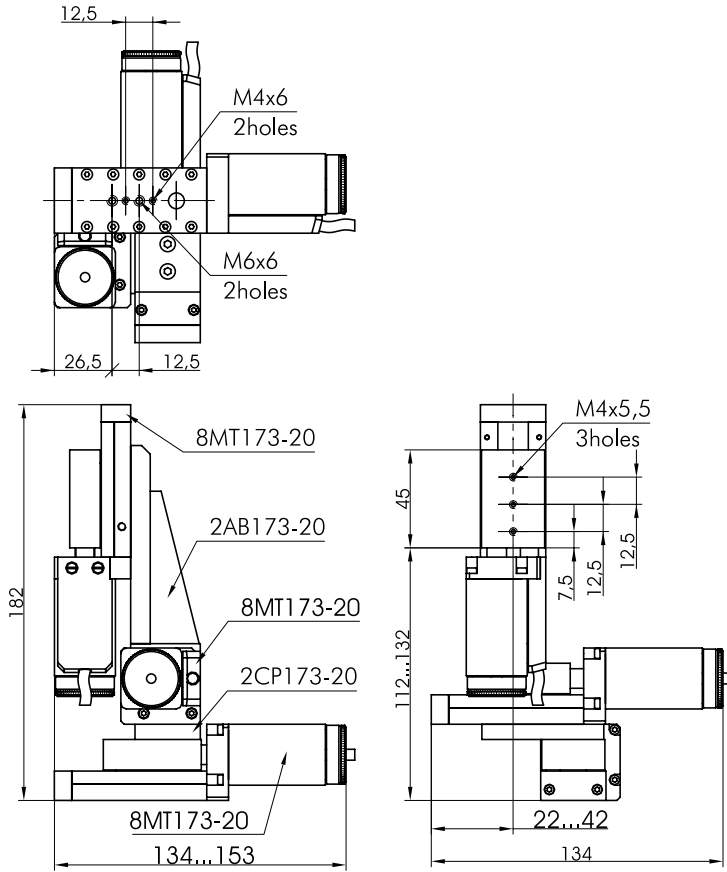


www.standa.it
e-mail: sales@standa.it
Phone: +370-5-2651474
Fax: +370-5-2651483

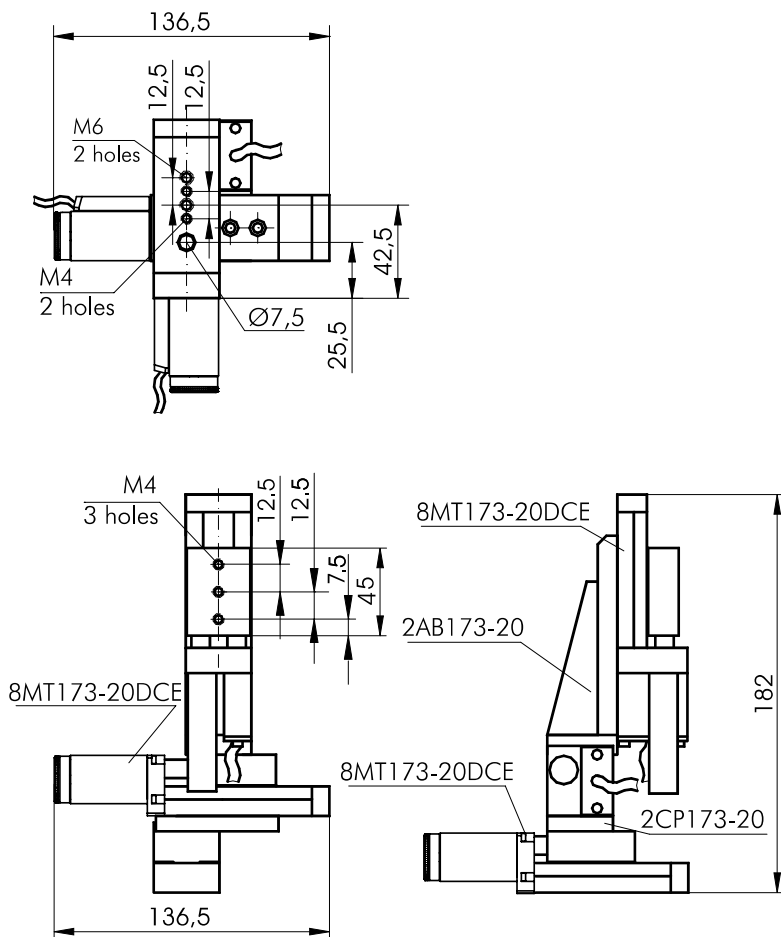
standa

Optical Tables	1
Brackets & Rails	2
Base Mounts & Accessories	3
Optical Mounts	4
Optical Positioners	5
Base Positioners	6
Translation & Rotation Stages	7
Motorised Positioners & Controllers	8
Fine Adjustment Screws	9
Opto-Mechanics & Sets	10
Light Test & Measurement Instruments	11
Lasers & Laser Accessories	12

8MT173-20XYZ



8MT173-20 DCE2XYZ



- 1 Optical Tables
- 2 Brackets & Rails
- 3 Base Mounts & Accessories
- 4 Optical Mounts
- 5 Optical Positioners
- 6 Base Positioners
- 7 Translation & Rotation Stages
- 8 Motorised Positioners & Controllers
- 9 Fine Adjustment Screws
- 10 Opto-Mechanics & Sets
- 11 Light Test & Measurement Instruments
- 12 Lasers & Laser Accessories



e-mail: sales@standa.it

www.standa.it



Phone: +370-5-2651474

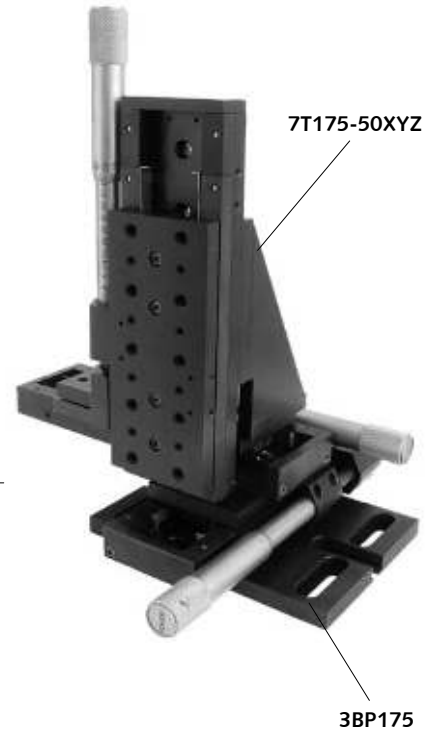
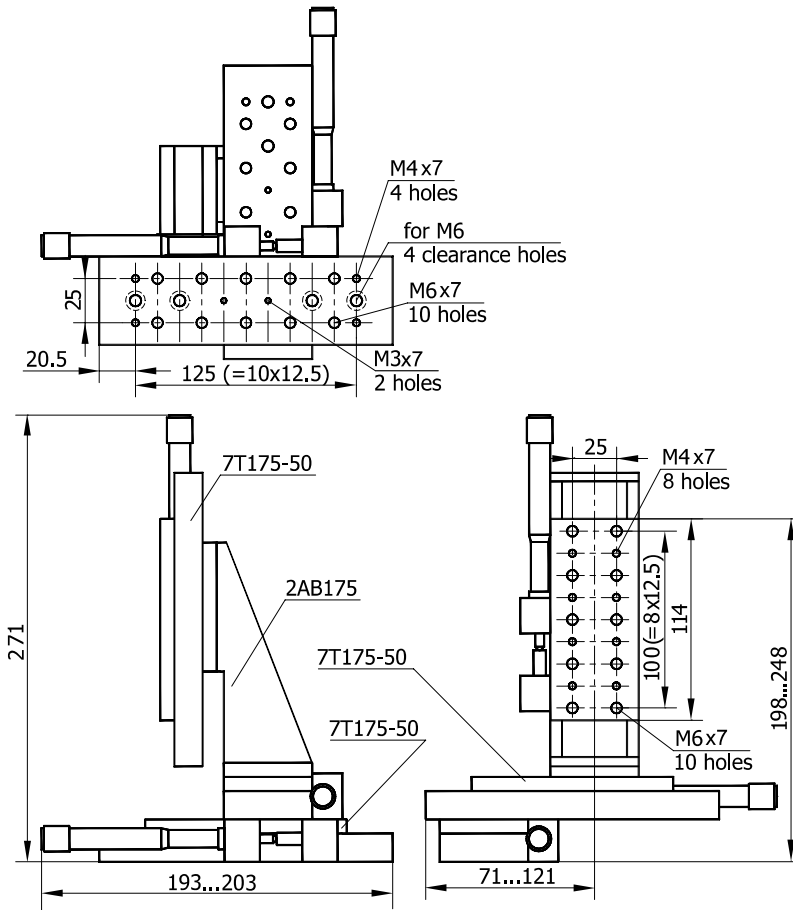
Fax: +370-5-2651483



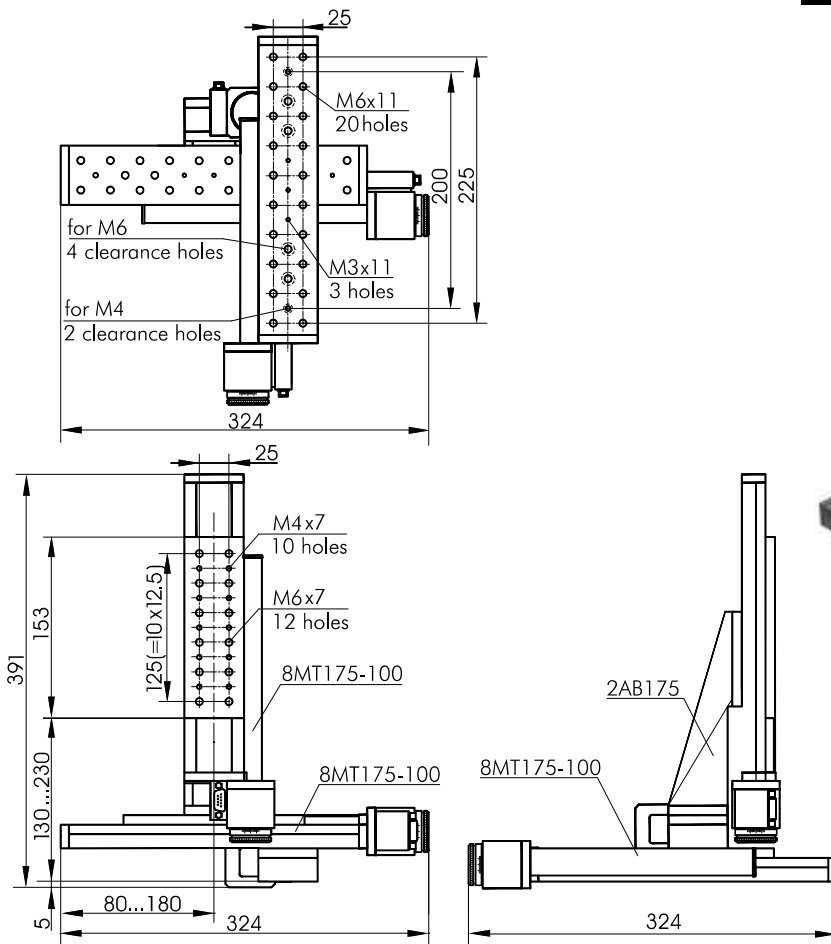
standa



7T175-50XYZ



8MT175-100XYZ



www.standa.it

e-mail: sales@standa.it



Phone: +370-5-2651483

Fax: +370-5-2651474



standa



Optical
Tables

1

Brackets
& Rails

2

Base
Mounts &
Accessories

3

Optical
Mounts

4

Optical
Positioners

5

Base
Positioners

6

Translation &
Rotation
Stages

7

Motorised
Positioners &
Controllers

8

Fine
Adjustment
Screws

9

Opto-
Mechanics &
Sets

10

Light Test &
Measurements

11

Lasers &
Accessories

12

6-10