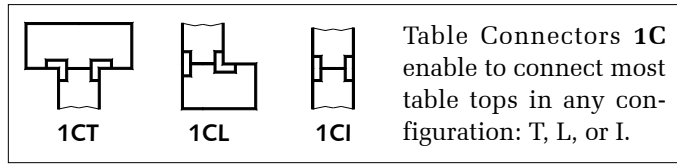


# Table Connectors

## 1C



- Link table tops together in various configurations
- Easy assemblage
- On request easily adapted to any Table Top

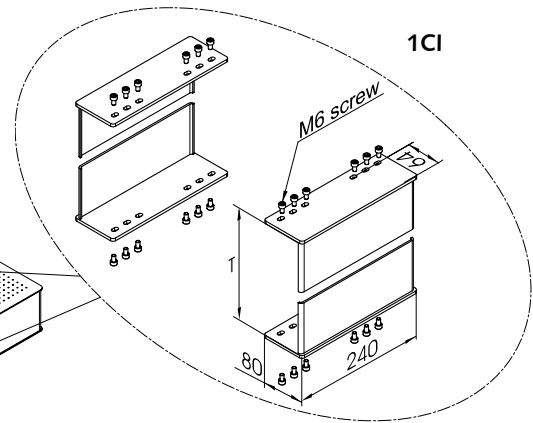


**Table Connectors 1C** render quick and reliable way to link table tops together. The tables, being linked, usually have **M6** tapped mounting holes on their tops and bottoms. The same holes are used for fastening to **1C**.

Below is the table of codes for ordering of a **standard** Table Connecting system.

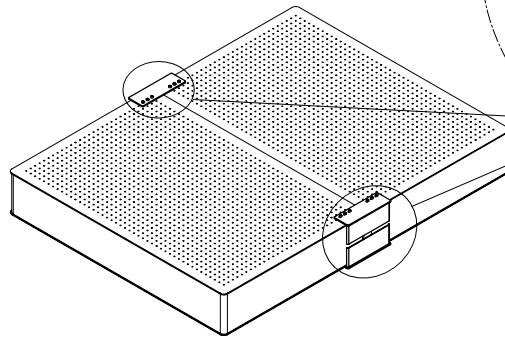
You are welcome to request custom systems.

At minimal deflection (see note in **1TS**) the rigidity of the linkage is no more than **15 μm/m** under **100 kg** load placed on it.



T – the **Thickness** of a tabletop

Model	T, mm
1CT	200
1CL	200
1CI	200
1CT-120	120
1CL-120	120
1CI-120	120
1CT-70	70
1CL-70	70
1CI-70	70



*for more Optical Table connection options  
please visit [WWW.STANDA.LT](http://WWW.STANDA.LT)*



www.standa.it

e-mail: sales@standa.it

Phone: +370-5-2651483

Fax: +370-5-2651474

**standa**

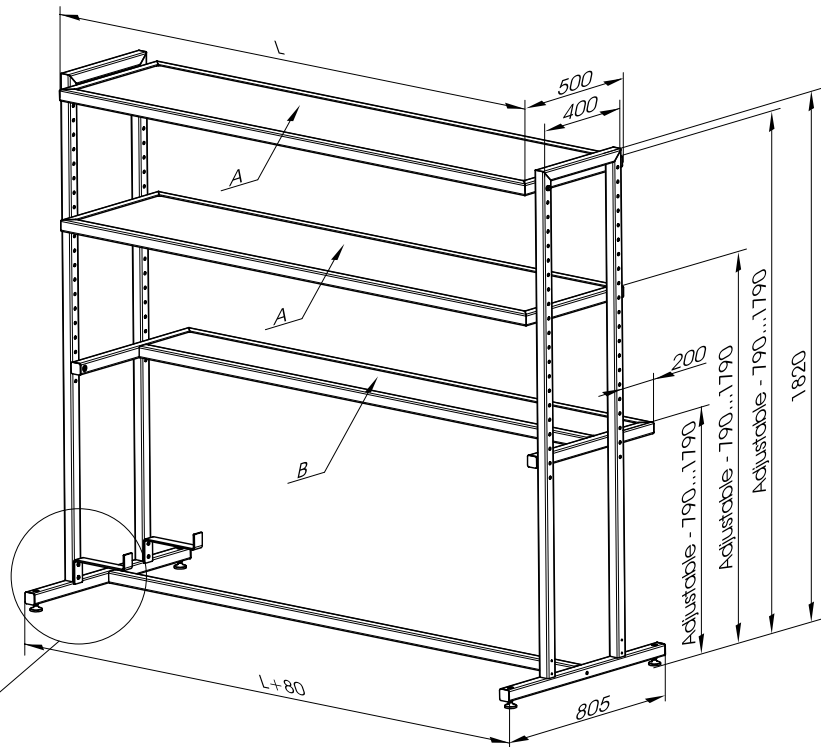
# Instrument Shelves

**1IS**



- Free-standing
- Can be positioned anywhere over the table
- Does not affect vibration isolation
- Adjustable shelf height
- Sturdy metal frame supports heavy loads

**Instrument Shelves 1IS** provide convenient off-the-table mounting and storage for power supplies, controllers, oscilloscopes and other instruments. They are not connected with the table and does not affect vibration isolation. The height of shelves can be adjusted easily. The space saving shelf also allows wires and cables to be neatly routed away from critical setups.



Model	L, mm
1IS200	2050
1IS300	3050
1ISXXX	any sizes by request

**Examples of codes for 1IS200:**

<b>1IS200-A</b>	one A shelf
<b>1IS200-B</b>	one B shelf
<b>1IS200-AA</b>	two A shelves
<b>1IS200-AB</b>	one A shelf and one B shelf
<b>1IS200-AAB</b>	two A shelves and one B shelf

- Optical Tables 1
- Brackets & Rails 2
- Base Mounts & Accessories 3
- Optical Mounts 4
- Optical Positioners 5
- Base Positioners 6
- Translation & Rotation Stages 7
- Motorised Positioners & Controllers 8
- Fine Adjustment Screws 9
- Opto-Mechanics & Sets 10
- Light Test & Measurement Instruments 11
- Lasers & Laser Accessories 12



e-mail: sales@standa.lt

www.standa.lt



Phone: +370-5-2651474

Fax: +370-5-2651483



**standa**



# Laser Shelves

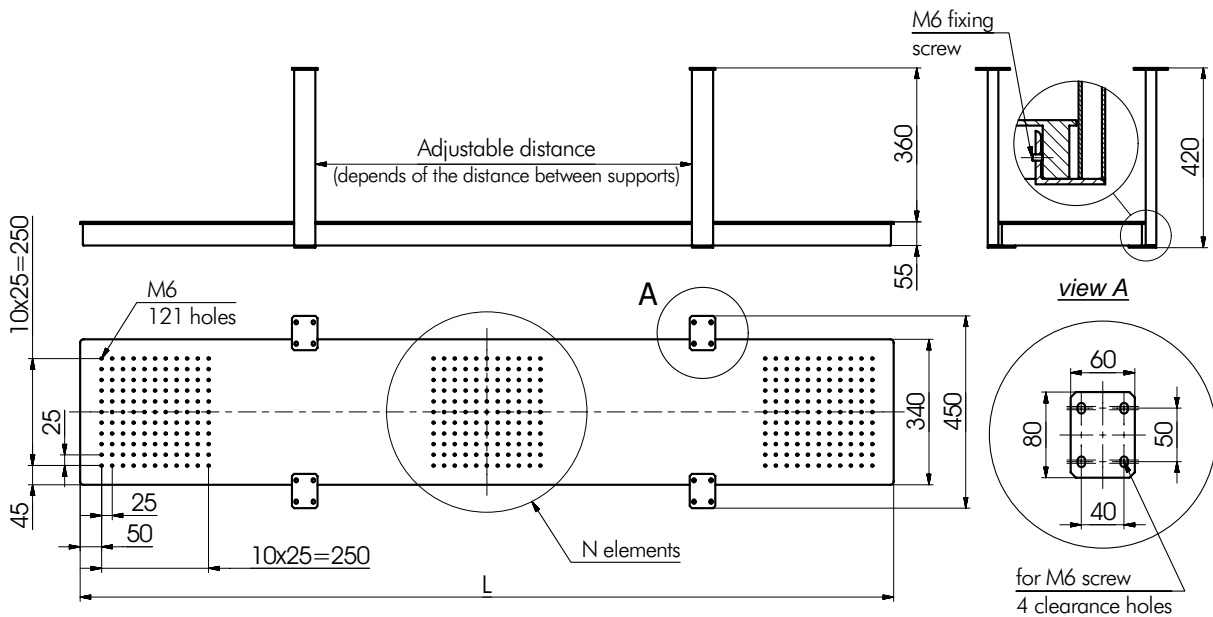
## 1LS52



1LS52-19

**Laser shelves 1LS52** are optional breadboards. They save space when installing a laser and other equipment beneath optical table tops. A shelf stays mechanically coupled to the table top. The shelves have a pattern of **M6** holes.

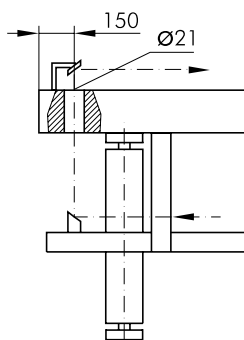
**1LS52** has **M6** screws to attach **directly** to the bottom of a table top. So it can be used with any table top, with any support, or vibration isolation. Location of attachment (holes) can be standard, or specified by a customer.



**1LS52** attach anywhere – no restrictions.

Model	L, mm	N	Weight, kg	Load capacity, kg
1LS52-09	900	2	26	200
1LS52-19	1900	3	47	200

Shelves of custom sizes are available.



**Laser Ports** in a **Table Top** are used to let a laser beam or cables through. Standard location of a port is chosen for use with the Laser Shelves **1LS52**.

When ordering, append letter **"H"** to the code of a Honeycomb Table Top e.g. 1HT10-20-20H (see article 1HT).



www.standa.it

e-mail: sales@standa.it



Fax: +370-5-2651483

Phone: +370-5-2651474



**standa**



# Protective Screens

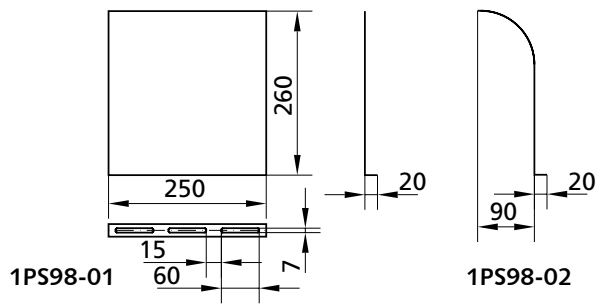
1PS98



1PS98-01



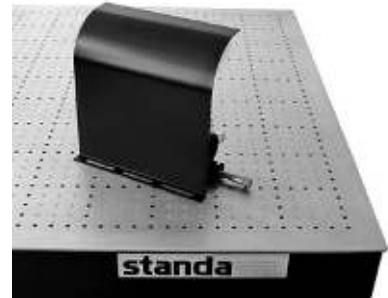
1PS98-02



**Protective Screens 1PS98** are designed to protect an optical setup from flashes, glitters and other undesired optical disturbances. The Protective Screens 1PS98-01 and 1PS98-02 are provided with three mounting slots and can be mounted anywhere on the table.

The screens are produced from steel tin-plate of black finish.

Model	Shape	Weight, kg
1PS98-01	Straight	0.5
1PS98-02	Bent	0.5



**OPTICAL TABLE  
OF ANY SIZE AND  
CONFIGURATION!!!**



**More information at  
[www.standa.it](http://www.standa.it)**

- 1 Optical Tables
- 2 Brackets & Rails
- 3 Base Mounts & Accessories
- 4 Optical Mounts
- 5 Optical Positioners
- 6 Base Positioners
- 7 Translation & Rotation Stages
- 8 Motorised Positioners & Controllers
- 9 Fine Adjustment Screws
- 10 Opto-Mechanics & Sets
- 11 Light Test & Measurement Instruments
- 12 Lasers & Laser Accessories



e-mail: [sales@standa.it](mailto:sales@standa.it)

[www.standa.it](http://www.standa.it)



Phone: +370-5-2651474 Fax: +370-5-2651483



**standa**



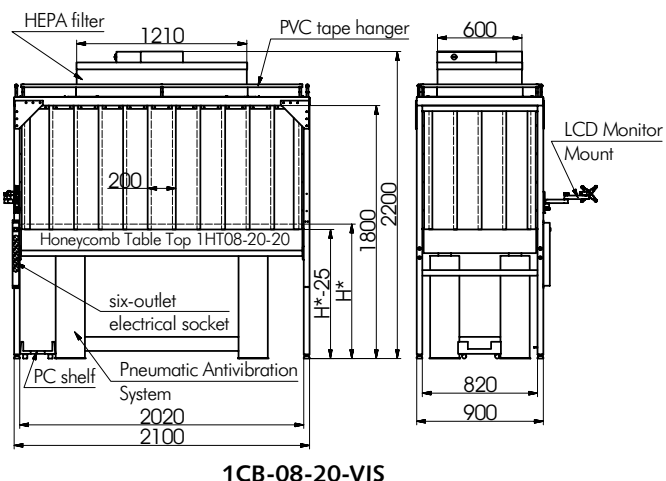
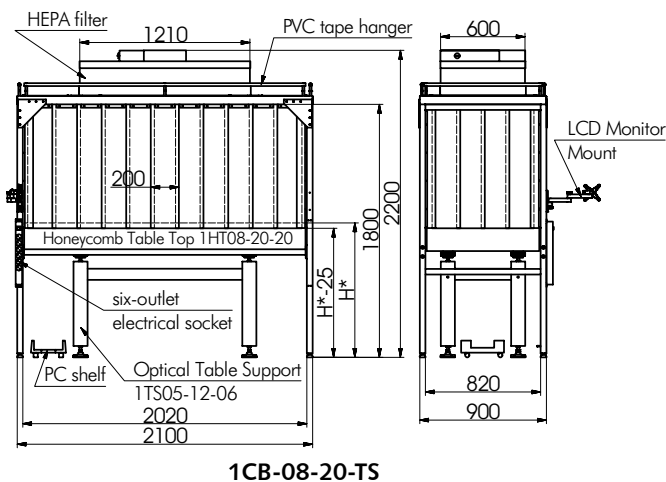
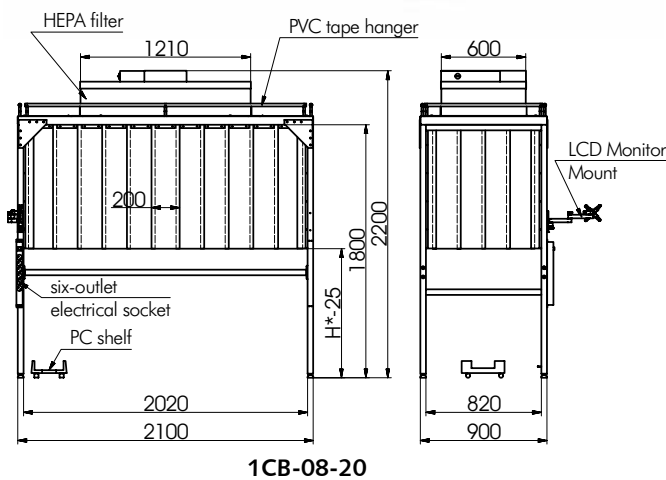
# Laminar Tabletop Workstation

**1CB**

- Extremely quiet fan <50 dBA
- Odorless plastic curtains
- HEPA air filter

**Laminar Flow Workstation 1CB** is designed to provide a clean environment in any laboratory or workshop. Our filtering unit **1CB** consists of a **HEPA air filter** and a **steel frame** complete with odorless plastic curtains. The vertical aligned flow of filtered air ensures that clean air flows uniformly over the workstation, keeping your samples, or optics in a clean managed environment.

In a laser optics manufacturing, a laser repair or research environment, cleanliness of optical surfaces is imperative. The millions of particles present in most laboratories can fall onto optical surfaces, or they can be carried to optical surfaces by the energy in a laser beam. Once on the surface the lasing beam will burn the particles onto the coating, causing attenuation of the intra cavity energy. In addition the burnt particle will absorb more energy and cause localized heating on the surface of the optic. The localized heating can cause thermal lensing and damage to the optical coating. When adding the **1CB** to your optical table you remove the particles and therefore the potential damage to your optics.



## ORDERING INFORMATION

As an example model – **1CB-08-20-TS** combines the proven **1HT08-20-20 (800 × 2000 × 200 mm)** honeycomb tabletop, the sturdy **1TS05-12-06-AR** table support and the NEW **1CT-08-20** air filter unit complete with curtains. For greater **stability** and **performance** we suggest ordering a **Vibration Isolation System 1VIS (1CB-08-20-VIS)** instead of static rigid supports 1TS.

If you already have your optical table set up and wish to add the filtered air unit to your table, we can provide any custom size to suit your needs. Quantity of **HEPA filters** can be increased according to the customer's application dimensions.



www.standa.it

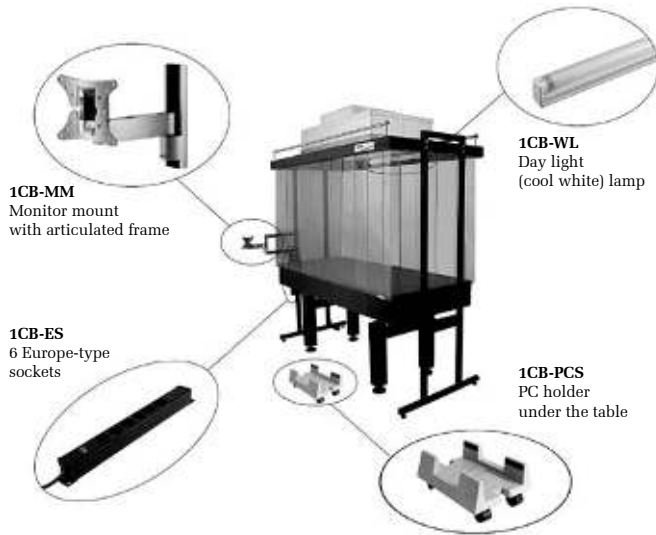
e-mail: sales@standa.it



Phone: +370-5-2651483

Fax: +370-5-2651474


**standa**

### Laminar Tabletop workstation included features:

- 1CB-MM** – Monitor mount with articulated frame
- 1CB-ES** – 6 Europe-type sockets
- 1CB-WL** – Day light (cool white) lamp
- 1CB-PCS** – PC shelf under the table

Featured units can be also ordered separately.

### Filter specification

- Low sound, low watts, low profile, and low operating costs.
- Three speed switch features low, medium, and high settings; standard on all 2 ft × 4 ft (600 mm × 1210 mm) and 2 ft × 3.5 ft (600 mm × 1057 mm) units.
- Solid-state speed control standard on 2 ft × 2 ft (600 mm × 600 mm) and 2 ft × 3 ft (600 mm × 905 mm) units.
- Forward-inclined centrifugal-type fan.
- High Efficiency Particulate Air (HEPA) UL 900 Filter: 99.99 % efficient @ 0.3 micron.
- Extremely quiet <50 dBA.
- Snap-in pre filter allows for easy replacement and maintenance.
- Mill finished aluminum exterior.
- Tested to IEST recommended RPC standards.
- UL listed (120 V, 240 V, 277 V) with standard UL 900 filter.

### ORDERING INFORMATION

#### 1CB-08-20

**Laminar Flow Workstation**  
Air filter unit complete with curtains, for tabletop sized 800x2000 mm.  
Does not include tabletop or its legs.

#### 1CB-08-20-TS

Includes:

#### Laminar Flow Workstation with rigid Table Supports

- tabletop 1HT08-20-20 (800 × 2000 × 200 mm);
- rigid table support 1TS05-12-06-AR;
- 1CB-08-20 air filter unit complete with curtains.

#### 1CB-08-20-VIS

Includes:

#### Laminar Flow Workstation with Vibration Isolation System

- tabletop 1HT08-20-20 (800 × 2000 × 200 mm);
- pneumatic vibration isolation system 1VIS22-70-4;
- 1CB-08-20 air filter unit complete with curtains.

#### 1CB-ES

#### 1CB-MM

#### 1CB-PCS

#### 1CB-WL

- Europe-type sockets** (additional)
- Monitor mount with articulated frame** (additional)
- PC shelf under the table** (additional)
- Day light (cool white) lamp** (additional)



e-mail: sales@standa.it

www.standa.it



Phone: +370-5-2651474

Fax: +370-5-2651483



**standa**

