

Motorized Mirror Mount

8MMA60



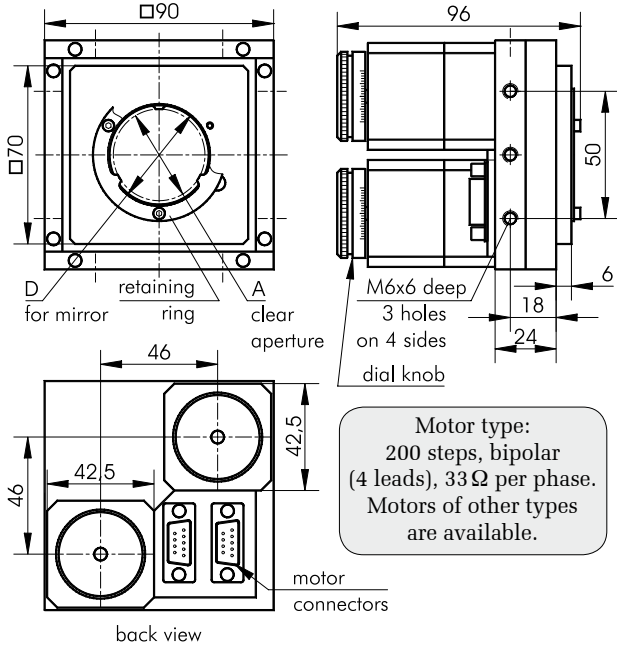
Motorized Mirror Mounts 8MMA60 are designed for precise angular alignment of optical elements. Platform is **tilted** about **two axes**. A **retaining ring** keeps optics in a non-through mounting opening of the platform.

The ring is fixed by 3 screws. It has **3 dents** with which it **clamps** optics against similar **3 rests** in the platform.

The **dents** are exactly opposite to the **rests** – this **minimizes deformation**.

SPECIFICATIONS

Tilt range	5° both axes
Visual reading	dial knobs graduated in 200 steps per revolution
Resolution	0.0016° (0°00'06") per step
Optics accepted	(see the drawing) diameter (D) , and clear aperture (A) :
	8MMA60-1 Ø25.4 mm (1"), A=21.4 mm
	8MMA60-40 Ø40 mm, A=36 mm
	8MMA60-2 Ø50.8 (2"), A=46.8 mm
	custom sizes available
Optics thickness	10 mm (retaining rings for custom thickness available)
Material	black anodized aluminium
Weight	1.08 kg



Motorized Vertical Translation Stage

8MVT188-20



Motorized Vertical Translation Stage 8MVT188-20 boasts our unique design. Being very compact, it provides smooth and stable adjustment of height. It has a large travel range, and it supports large loads. While moving the platform stays parallel to the base.

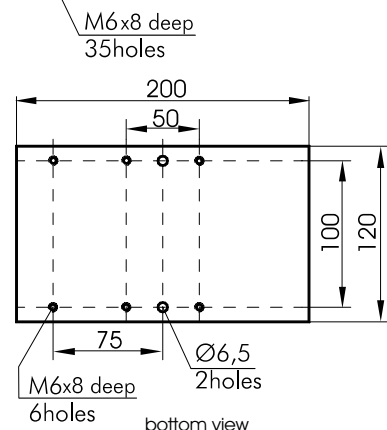
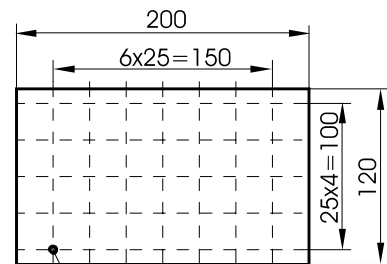
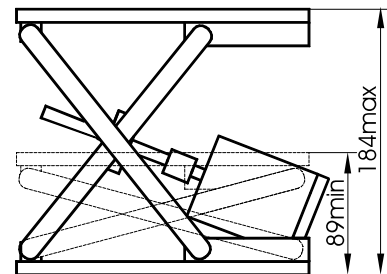
Examples of use: making up for height differences during the set up; automation of technological processes, like laser welding.

A stepper motor type – **5918**, 200 steps. Customer can specify any other types of motors to install. Load capacity and speed all greatly depend on the motor. We can test and select an appropriate motor for your requirements.

The lead screw acts at a varying angle, so the resolution of the stage varies with position.

The platform has an array of **M6** holes spaced by **25 mm**. The base has **six M6** and **two Ø6.5** holes.

Material: black anodized aluminium.



- Pantograph design
- 16 ball bearings
- Stepping motor drive
- Precision lead screw
- 95 mm vertical travel
- Height: min 89 mm max 184 mm
- Top and bottom plates parallel to 1 mm
- Load capacity 8 kg (depending on motor and controller)
- Supply voltage – 36 V
- Weight: 4.3 kg

Motorized Vertical Translation Stage

8MVT40-13



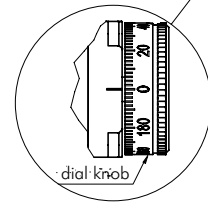
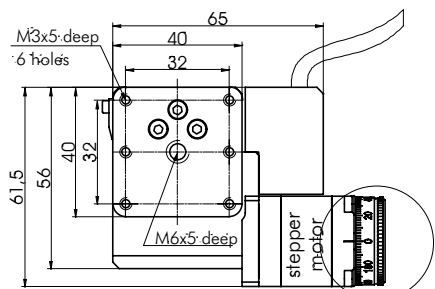
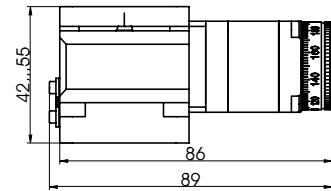
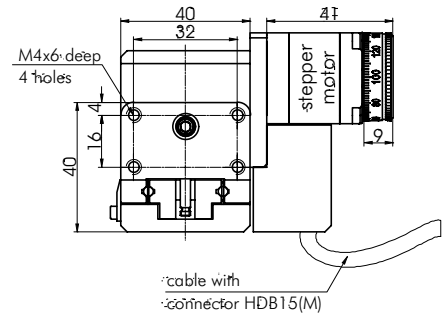
- Travel range 13 mm
- Stacks directly with stages of 174 and 184 series

SPECIFICATIONS

	8MVT40-13-1
Travel range, mm	13
Lead screw pitch, mm	1
Resolution in full step*, μm	0.083
Max speed*, mm/s	0.416
Load capacity, kg	6
Cable	integrated, 1.6 m length
Motor connector	HDB15(M)
Stepper motor	28S
Weight, kg	0.45

***Test condition:**

- STANDA controllers;
- Power supply – 36V.



8MVT40-13 stacks directly with stages of 174 and 184 series



8MT184-13



7R174-11, 7T184-13 (2 pieces),
and 7VT174 or 7VT40 stacked



8MR174-11-28S

Related Controller for DC, BLDC and Stepper Motors



8SMC4-USB-B8-1
1 axis Controller in box



8SMC4-USB-B9-2
2 axis Controller in box

More info on www.standa.it

Motorized Z Stage

8MVT70-13-1



- Travel range 13 mm
- 8MR151 series rotation stages stacks directly on top of 8MVT70-13-1

Compact Motorized Z Stage of original Standa design provides 13 mm of reliable vertical motion. The stage ideally fits many Standa motorized linear stages.

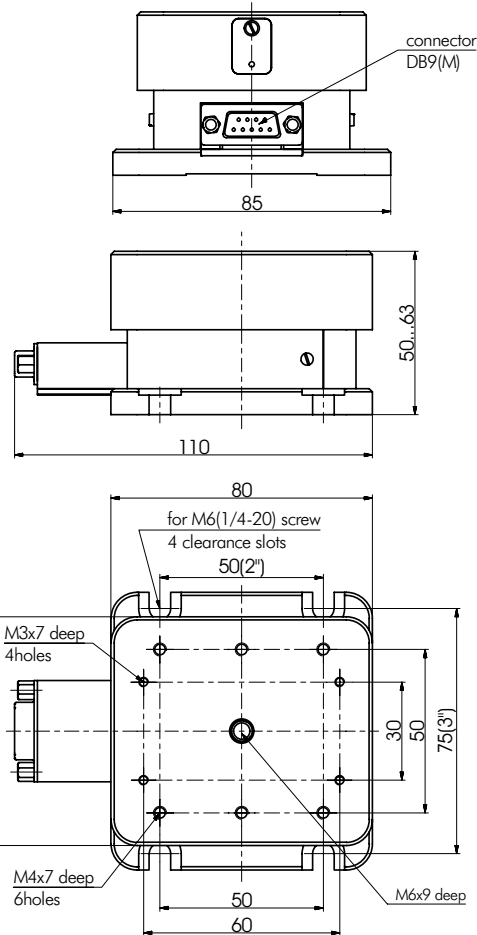
SPECIFICATIONS

Travel range	13 mm
Resolution in full step	5 μm
Resolution in 1/8 step	0.625 μm
Lead screw pitch	1 mm
Maximum speed	20 mm/sec
Load capacity	4 kg
Unidirectional repeatability	1 μm
Bi-directional repeatability	2 μm
Motor	2 phase stepper actuator
Weight	0.75 kg
Limit switches	2 pc mechanical
Switch polarity	pushed is open
Recommended controllers	8SMC4-USBh

8MR151 series motorized rotation stages can be directly mounted on top of **8MVT70-13-1**.



8MR151-1



Recommended Controllers

more info on www.standa.it

Joystick developed for manual control of one or two-axis all Stepper motor equipped motorizes stages



8JXY-03
Joystick for 8SMC4-USB controller

Stepper, BLDC and DC Motor Controller with USB Interface

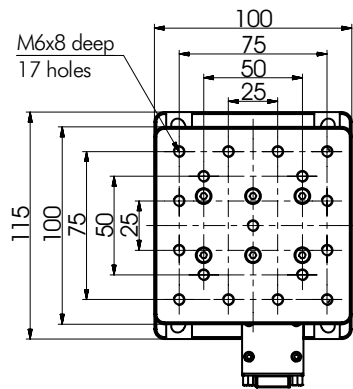
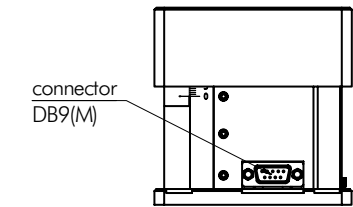
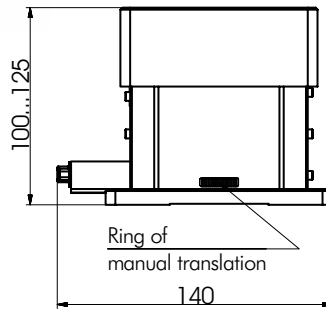
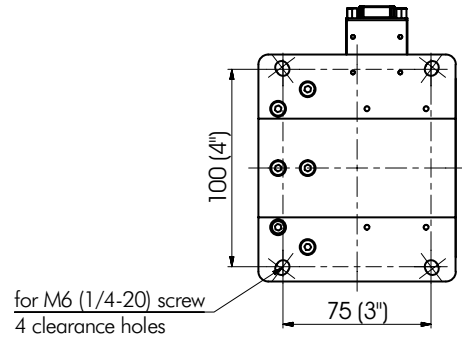


8SMC4-USB-B8-1
1 axis Controller in box

Motorized Vertical Stage

8MVT100-25-1

- High precision
- High speed (up to 20 mm/sec)
- Loads up to 8 kg
- Compact design
- Direct drive actuator
- Perfectly stacks with 8MR190, 8MR191-2 rotators and 8MT167 translators



SPECIFICATIONS

Travel range	25 + 1 mm
Resolution in full step	5 μ m
Resolution in 1/8 step	0.625 μ m
Lead screw pitch	1 mm
Maximum speed	20 mm/sec
Load capacity	8 kg
Unidirectional repeatability	1 μ m
Bi-directional repeatability	2 μ m
Motor	2 phase stepper actuator
Weight	2.2 kg
Optocoupler end limit switches	2
Switch polarity	pushed is open
Recommended controllers	8SMC4-USBh

Recommended Controllers

more info on www.standa.lt

Four Axis Stepper, BLDC
and DC Motor Controller
with
Power Supply



8SMC4-USB-B9-B9



www.standa.lt

e-mail: sales@standa.lt



Phone: +370-5-2651483

Fax: +370-5-2651474



Vertical Positioning Stage

8MVT120



8MVT120-12-4247

- True vertical elevation of the platform
- Compact design
- Travel range – 12.7 mm and 25.4 mm
- Long life time *
- Vacuum version available

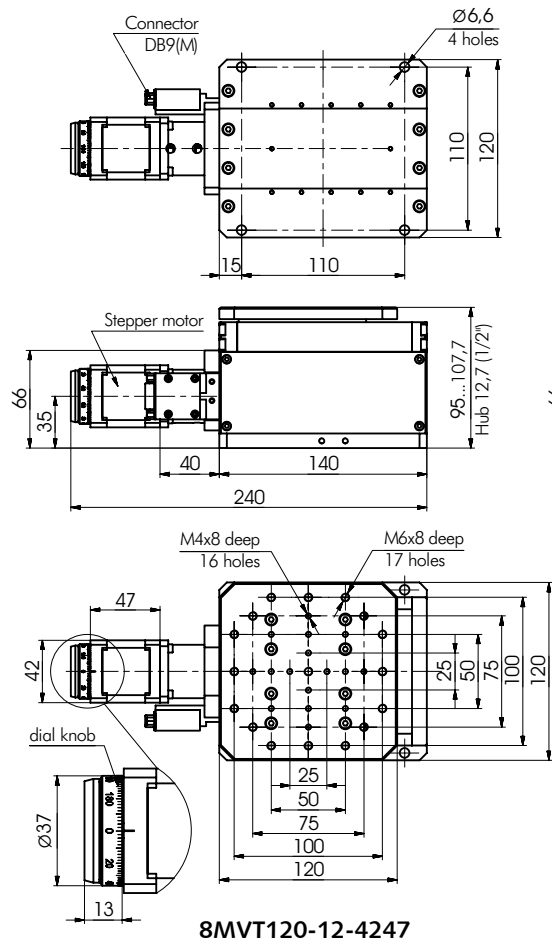
* Screw coated with BlackIce TFE coating and equipped with plastic anti-backlash self-lubricating nut, which provide up time equal to 7 million cycles, is used in the "42C01" models.



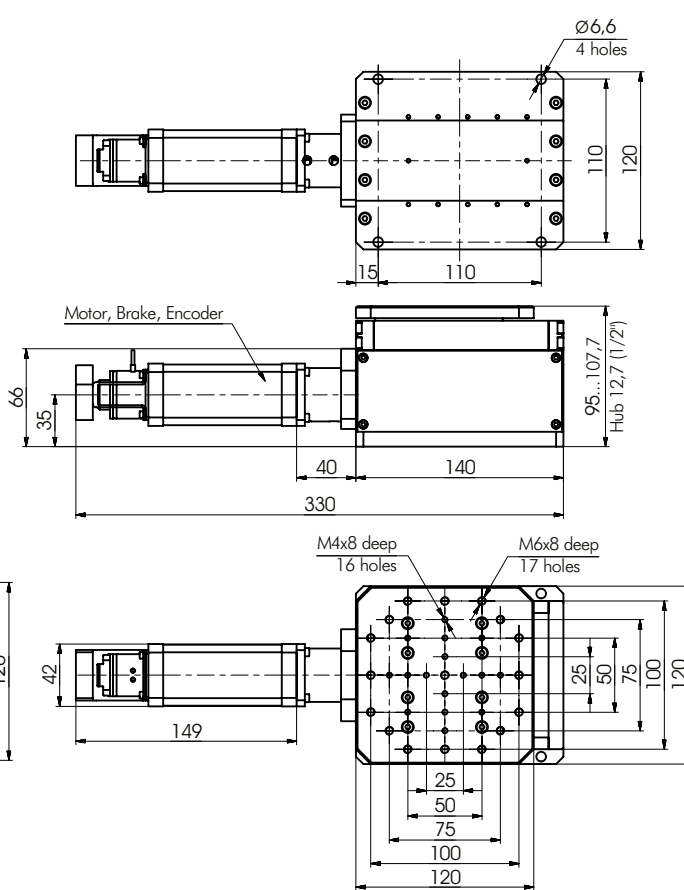
8MVT120-25-4247

Vertical positioning stage provides high-precision positioning and smooth travel for loads up to 10 kg. The wedge design, driven by precision rolled leadscrew, converts horizontal motion into vertical. Together with high quality linear bearing guide the system ensures rigid and smooth movement across all range of travel and long lifetime. Precision bearings provide platform stiffness and stability while the screw mechanism assures positioning accuracy. For protection of mechanics, optical limit switches are installed.

8MVT120-XX-42C01 model is designed for use in clean room class 100 conditions. This model also equipped with vacuum sleeve for dust removal from inside the stage, which accumulates during stage operation.



8MVT120-12-4247



8MVT120-12-42C01

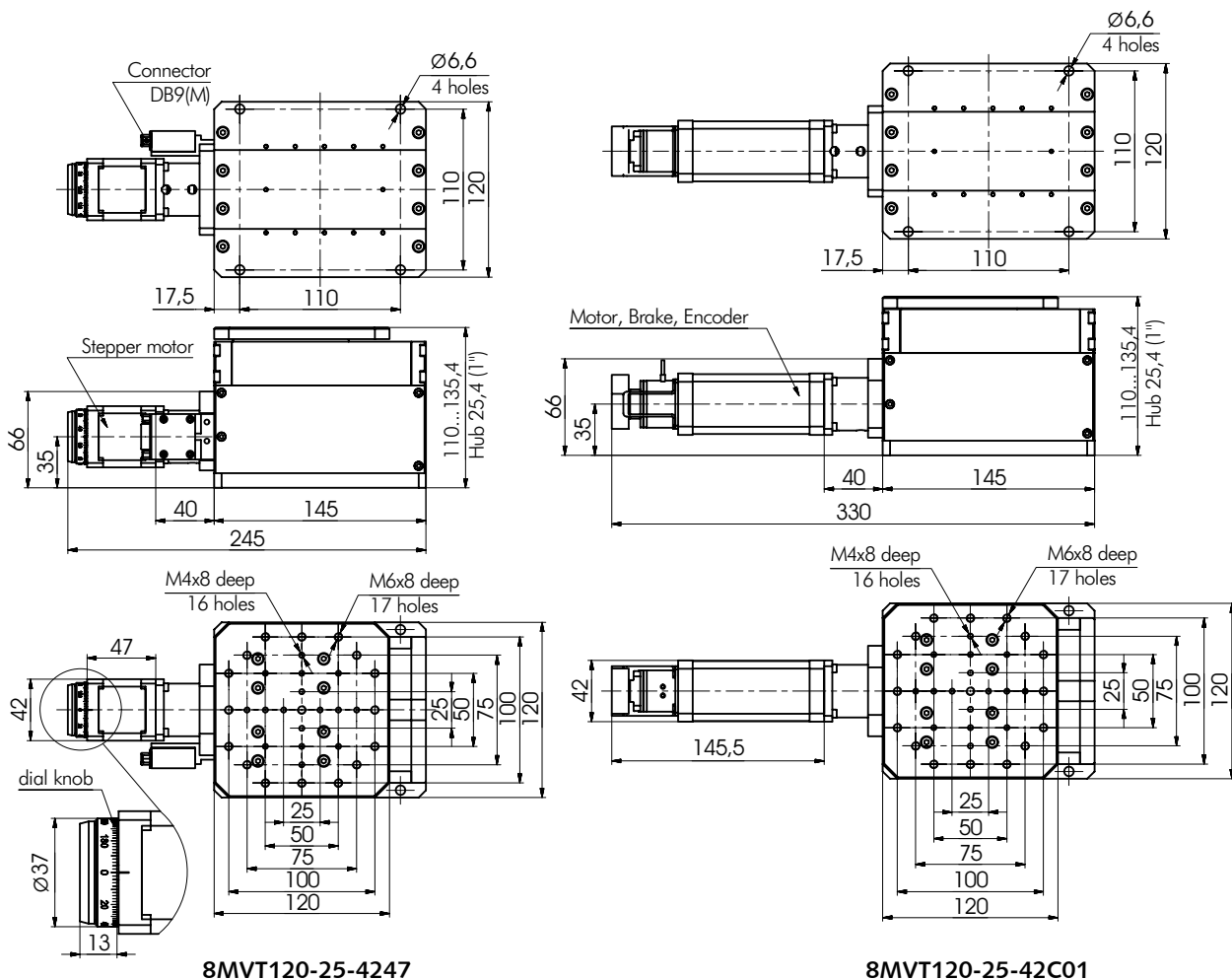
- 1 Optical Tables
- 2 Brackets & Rails
- 3 Base Mounts & Accessories
- 4 Optical Mounts
- 5 Optical Positioners
- 6 Base Positioners
- 7 Translation & Rotation Stages
- 8 Motorised Positioners & Controllers
- 9 Fine Adjustment Screws
- 10 Opto-Mechanics & Sets
- 11 Light Test & Measurement Instruments
- 12 Lasers & Laser Accessories

SPECIFICATIONS

	8MVT120-12-4247	8MVT120-12-42C01	8MVT120-25-4247	8MVT120-25-42C01
Travel range, mm	12.7	12.7	25.4	25.4
Resolution in full step, μm	2.5	-	5	-
in 1/256 step, μm	0.018 *	-	0.019 *	-
Encoder pulses per revolution	by request	4000	by request	4000
Travel per 1 pulse, μm	-	0.18	-	0.36
Lead screw pitch, mm	1	1.44 **	1	1.44 **
Wedge reduction rate	2:1	2:1	1:1	1:1
Unidirectional Repeatability, μm	1,5	1,5	1,5	1,5
Bi-direction repeatability, μm	3	3	3	3
Accuracy, μm	10	10	10	10
Lift parallelism (to the base), μm		35 (by request up to 10 μm)		35 (by request up to 15 μm)
Maximum speed, mm/s	10	12	20	25
Maximum load capacity, kg	10 (15 kg by request)	10	10 (20 kg by request)	10
Stepper motor	4247	-	4247	-
Brushless DC motor	-	DB42-100	-	DB42-100
Brake	by request	+	by request	+
Optocoupler end limit switches	2	3	2	3
Switch polarity		Pushed is open		
Motor connector	DB9(M)	by request	DB9(M)	by request
Material		Aluminium		
Finish		Black anodize hard cover		
Weight, kg	3,5	3,9	4,05	4,5
Recommended Controller		8SMC4-USB		

* With Standa 8SMC4-USB controller

** Screw coated with BlackIce TFE coating and equipped with plastic anti-backlash self-lubricating nut, which provide up time equal to 7 million cycles, is used in the "42C01" models.



www.standa.it

e-mail: sales@standa.it



Fax: +370-5-2651483

Phone: +370-5-2651474



standa



Optical
Tables

1
Brackets
& Rails

2
Base
Mounts &
Accessories

3
Optical
Mounts

4
Optical
Positioners

5
Base
Positioners

6
Translation &
Rotation
Stages

7
Motorised
Positioners &
Controllers

8
Fine
Adjustment
Screws

9
Opto-
Mechanics &
Sets

10
Light Test &
Measurement
Instruments

11
Lasers &
Accessories

Motorized Vertical Lift Stage

8MVT120-5



- Compact
- Stiff and stable
- Two optical limit switches
- Clean room grease

Standa Motorized Vertical Lift Stage offers precise vertical translation for elevating object **up to 8 kg**. An optional 1000-line rotary encoder is available for the stepper motor.

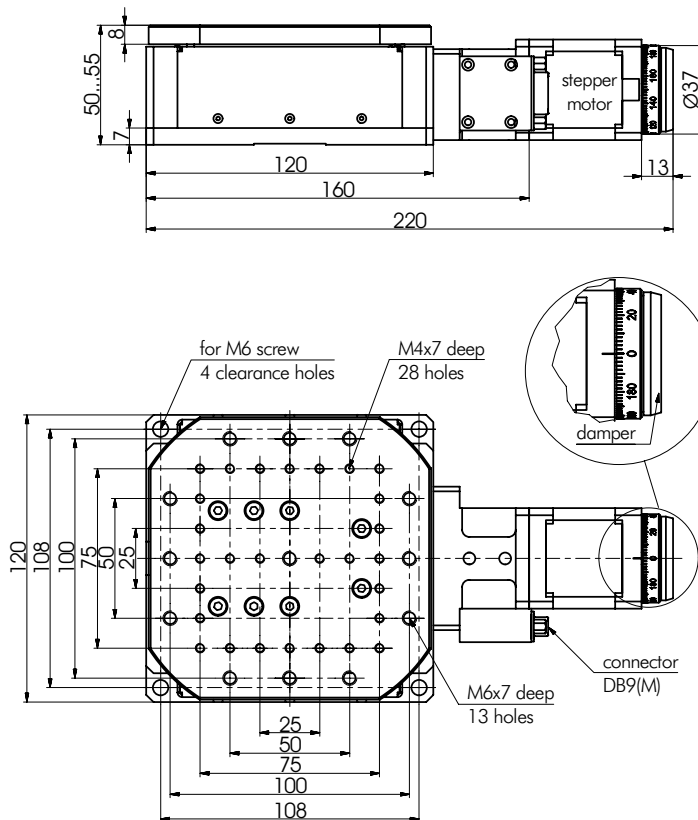
SPECIFICATIONS

Travel range	5 mm
Resolution in full step	0,625 μ m
Resolution in 1/8 step	0.078 μ m
Lead screw pitch	0,5 mm
Wedge reduction rate	4:1
Repeatability	3 μ m
Accuracy	10 μ m
Lift parallelism (to the base)	20 μ m
Mounting surface flatness	10 μ m
Position stability (max)	3 μ m
Maximum speed	2.5 mm/s
Maximum load capacity	8 kg
Motor connector	DB9(M)
Stepper motor	4247
Recommended controllers	8SMC4-USB
Optocoupler end limit switches	2
Switch polarity	pushed is open



See page 3-7.

Base plate 3BP120 is designed for fastening **8MVT120** series Motorized Vertical Lift Stages on optical tables and other surfaces.



Recommended Controllers

more info on www.standa.it

8SMC4-36

Universal motion controller/driver

Universal motion controller/driver 8SMC4-36 is designed especially to control up to 36 mechatronic systems based on standard **DC, Servo, Stepper** or **BLDC technologies**. The housing of **8SMC4-36** has 7U height and can be mounted in standard 19 inch industrial cabinets. Up to six **8SMC4-36** systems can be installed in a standard 42U 19 inch cabinet. This allows to have 216 axes per cabinet which saves space and lets avoid cable clutter.

