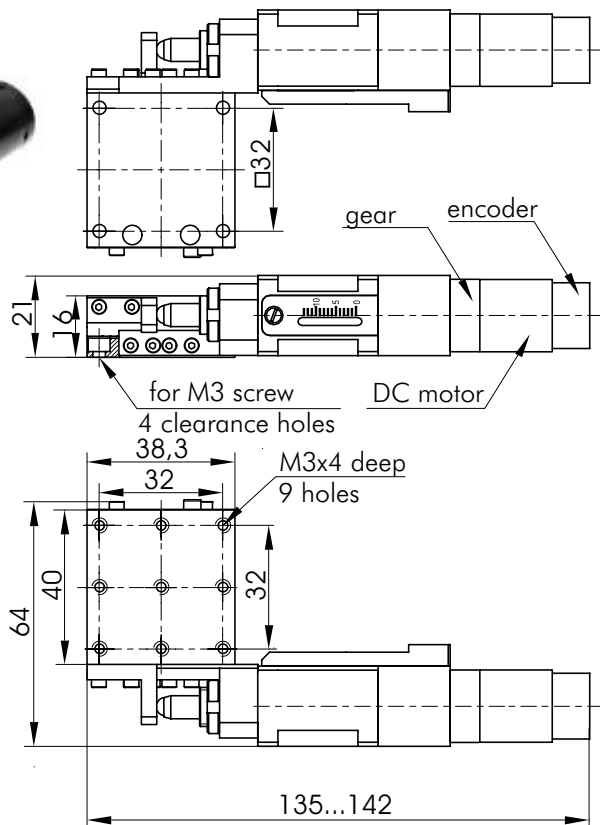


Motorized Translation Stage

8MT184-13DC



- Compact design
- Precise movement
- 13 mm travel range
- X-Y-Z direct stacking
- Stacks directly with stages of 174 series
- Motorized Actuator 8CMA16DC-13/15
- Lockable
- Black anodized aluminium
- Angle bracket 2AB174 for vertical mounting



*Available Motorized Translation Stage
with VACUUM 10⁻⁶ Torr Compatible DC motor
8MT184V-13DC*

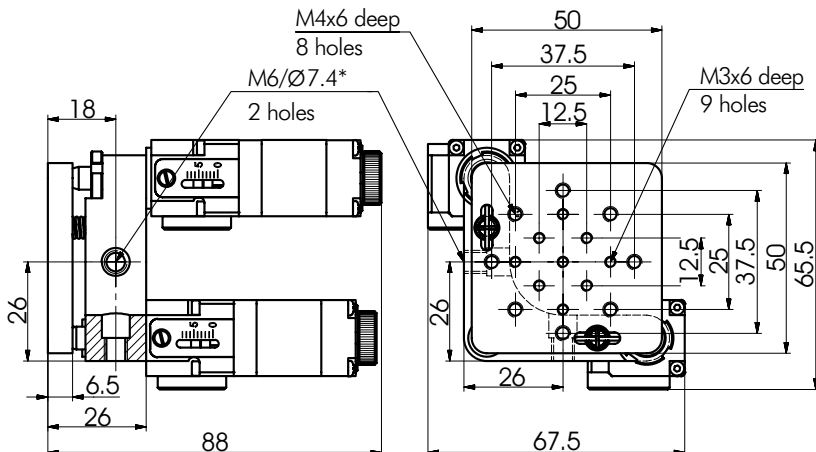
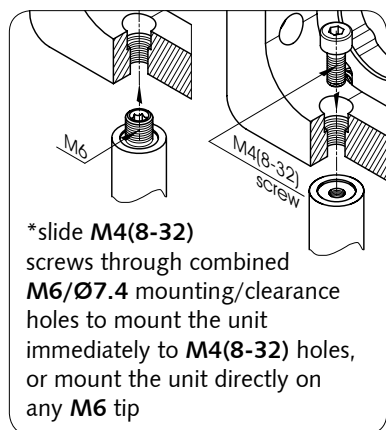
Motorized Optical Mount

8MUP21-2



SPECIFICATIONS

Travel range	4 mm
Resolution	<1 arcsec
Tilt range	9°(about two axes)
Speed (Standa SMC1-USBh controller)	from 1 arcsec/sec to 1°/sec
Type of actuator	8CMA20-8/15
Optocoupler end limit switches	2 per actuator
Cable	1.2 m length cable included
Motor connector	HDB15(M)
Recommended controllers	8SMC4-USBh



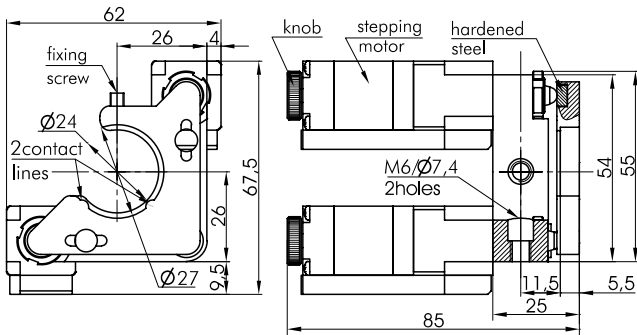
Motorized Kinematic Mirror/Beamsplitter Mounts

8MBM24



8MBM24-1-2

- 1" optics mounts
- Tilt range 9° (about two axes)
- Travel range 4 mm
- Mounting on either of 2 sides
- Two models – round and square aperture
- Kinematic
- Clear edge design
- A motorized actuator 8CMA20-8/15 pushes via seat of hardened stainless steel
- Black anodized aluminium
- 2", 3" models available 8MBM24-2, 8MBM24-3



Motorized Two Axis Translation Optical Mount

8MTOM2-1



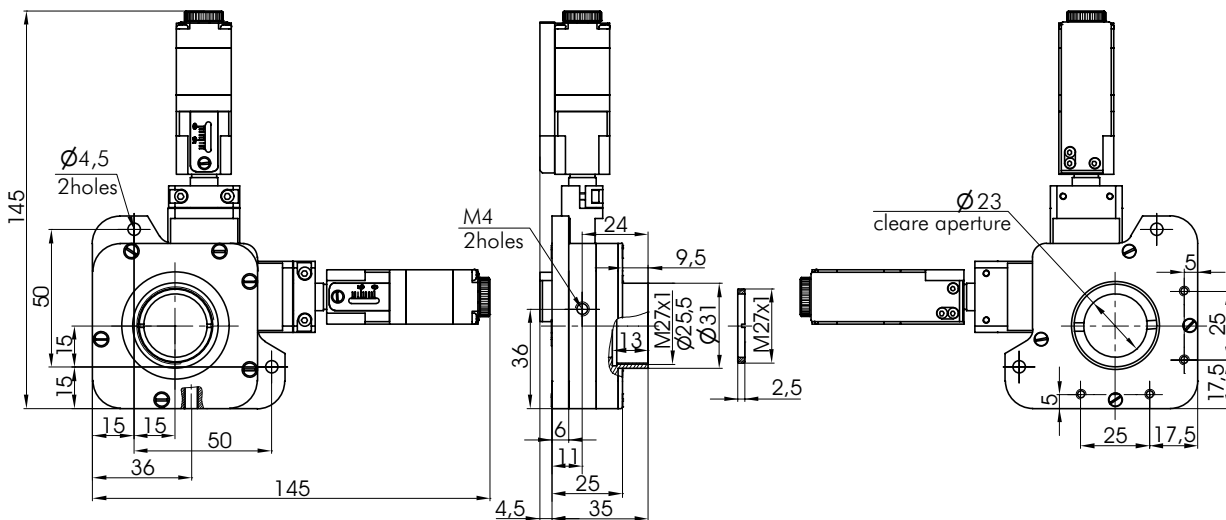
DESIGNED TO USE WITH MICROSCOPE

- 1" optics mounts
- Limit switch: optoelectronic couple
- Black anodized aluminium

The 8MTOM2-1 is made of 5TOM2-1 XY Translation Mount and 8CMA20-8/15 Compact Motorized Actuators.

SPECIFICATIONS

Resolution in full step	1.25 μm
in 1/8 step	0.156 μm
XY translation range	±2 mm
Lead screw pitch	0.25 mm
Weight	0.8 kg



DC motor base Actuators are available on request

DC motor base Actuators are available on request

Optical Tables	1
Brackets & Rails	2
Base Mounts & Accessories	3
Optical Mounts	4
Optical Positioners	5
Base Positioners	6
Translation & Rotation Stages	7
Motorised Positioners & Controllers	8
Fine Adjustment Screws	9
Opto-Mechanics & Sets	10
Light Test & Measurement Instruments	11
Lasers & Laser Accessories	12

Phone: +370-5-2651474 Fax: +370-5-2651483
 e-mail: sales@standa.it www.standa.it

standa

Motorized Gimbal Mount

8MGM25T-1

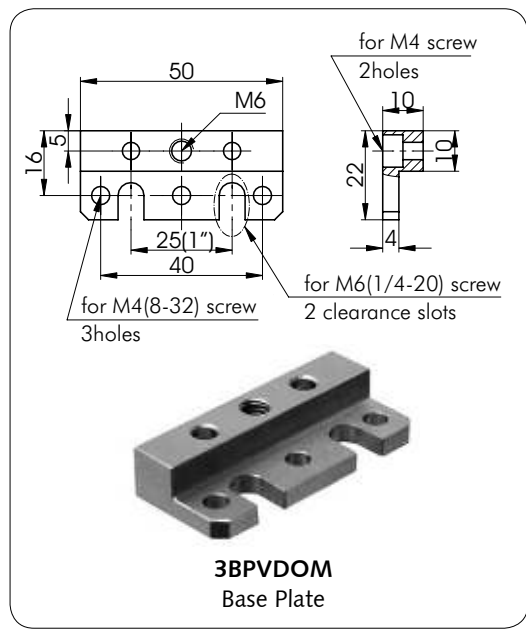
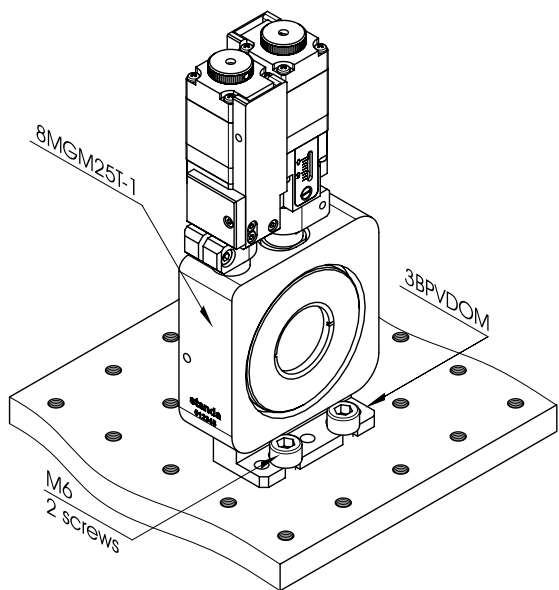
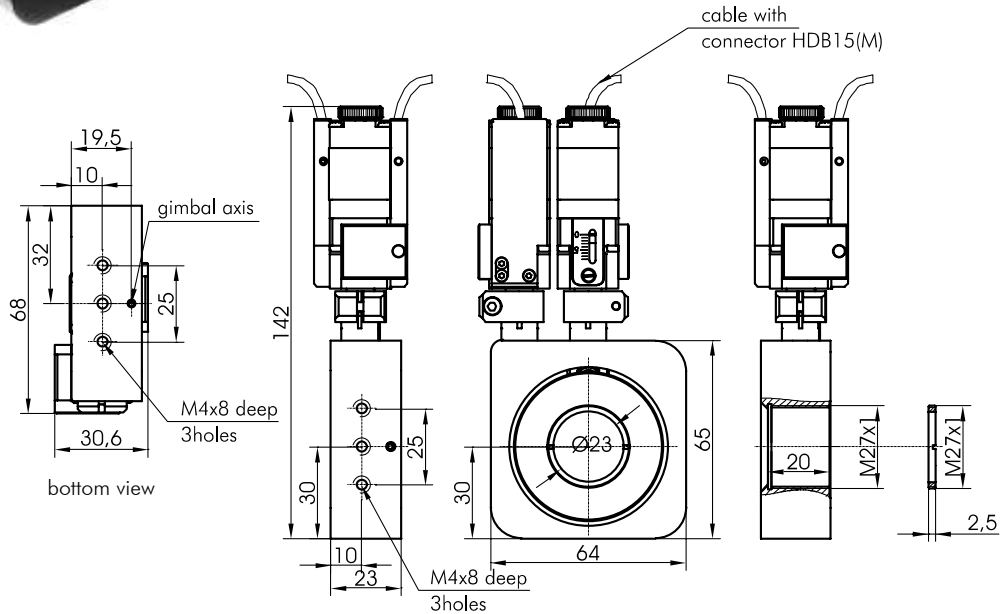
- 1 Optical Tables
- 2 Brackets & Rails
- 3 Base Mounts & Accessories
- 4 Optical Mounts
- 5 Optical Positioners
- 6 Base Positioners
- 7 Translation & Rotation Stages
- 8 Motorised Positioners & Controllers
- 9 Fine Adjustment Screws
- 10 Opto-Mechanics & Sets
- 11 Light Test & Measurement Instruments
- 12 Lasers & Laser Accessories



SPECIFICATIONS

Optics diameter	25,4 mm
Clear aperture	23 mm
Angular range	±2,5°
Type of actuator	8CMA20-8/15
Resolution*	
in full step	1,25 μm
in 1/8 step	0,156 μm
Lead screw pitch	0.25 mm
Repeatability	1 μm
Maximum speed	4 mm/s
Cable	1.2 m length cable included
Motor connector	HDB15(M)
Weight	0.7 kg

*Actuator`s movement dependance of horizontal position is not lineral.



DC motor based Actuators are available on request



Motorized Vertical Drive Optical Mounts

8MKVDOM

Motorized Vertical Drive Optical Mounts 8MKVDOM are designed to minimize mount-induced wavefront distortions. In conventional mounts, the mirror is tightened by a side screw. **Radial forces** acting on the mirror induces parasitic wavefront distortion, such as astigmatism. **8MKVDOM** mirror mounts use secure **3-points mirror suspension** in between frontal flat spring and the back plate. Uniformly distributed axial forces eliminate wavefront distortion.

- 1", 2" optics diameter
- Stainless steel
- Compact/robust design
- Annealed front panel

Due thermal processes on optic holding part, all metal inner tensions were removed and part makes none micro movements.

These mounts are ideal for industrial applications in different optical devices (laser cavities, optical sub-assemblies, limited space applications) because of their long-term stability.

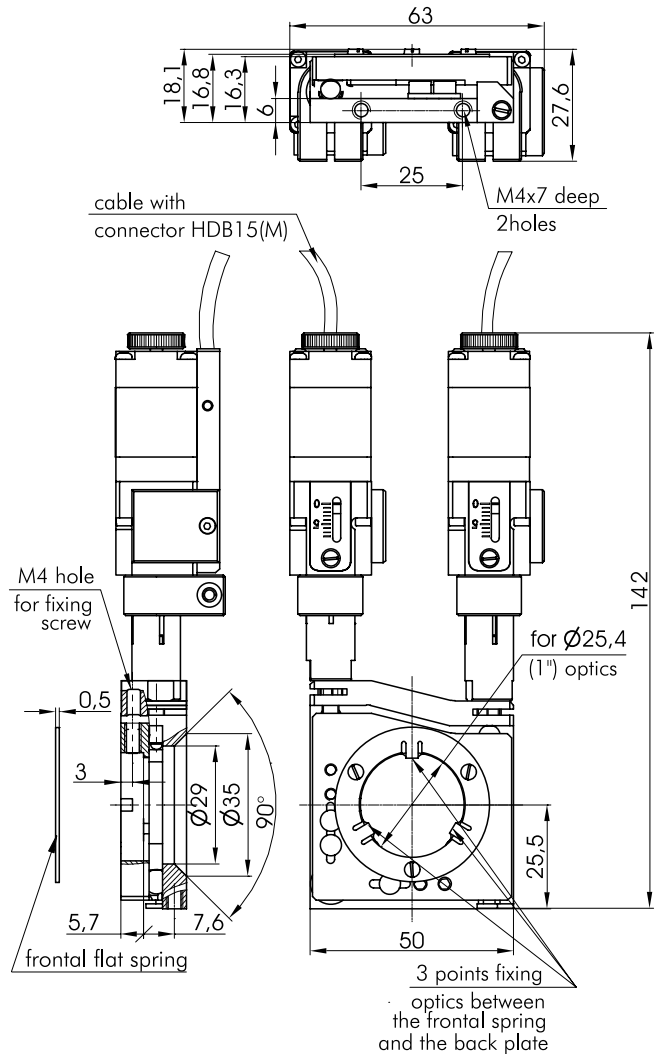
Motorized Vertical Drive Optical Mount

8MKVDOM-1



SPECIFICATIONS

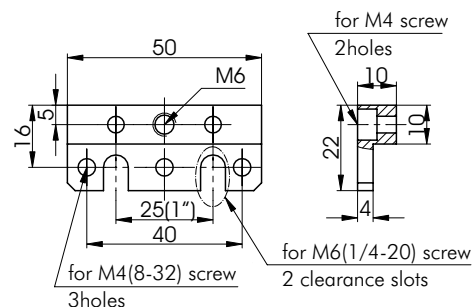
Optics diameter	25.4 mm
Clear aperture	23 mm
Tilt/tip range	±2.5°
Sensitivity	
by horizontal	3.8 arcsec. in full step of actuator
by vertical	3.9 arcsec. in full step of actuator in the middle tilt of platform
Type of actuator	8CMA20-8/15
Travel range of actuator	6 mm
Resolution	
in full step	1.25 μm
in 1/8 step	0.156 μm
Lead screw pitch	0.25 mm
Repeatability	1 μm
Cable	1.2 m length cable included
Motor connector	HDB15(M)
Weight	0.5 kg



Stepper, BLDC and DC Motor Controller with USB Interface



2 axis Controller in box
8SMC4-USB-B9-2



3BPVDOM Universal Base Plate is designed to attach Motorized Vertical Drive Mirror Mounts **8MKVDOM** to STANDA optical tables or to another stages.

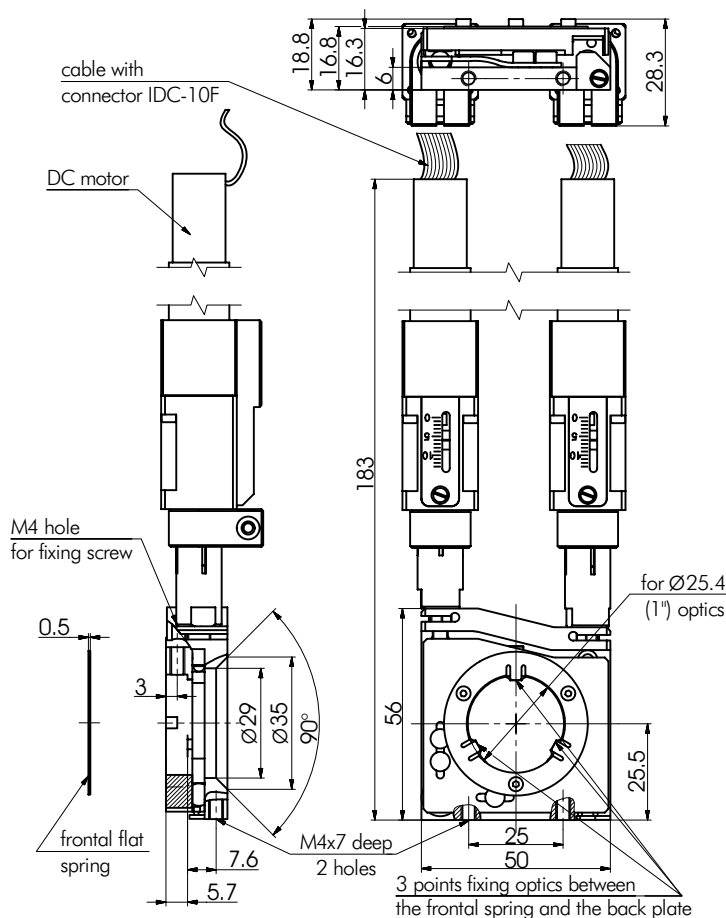
- Optical Tables 1
- Brackets & Rails 2
- Base Mounts & Accessories 3
- Optical Mounts 4
- Optical Positioners 5
- Base Positioners 6
- Translation & Rotation Stages 7
- Motorised Positioners & Controllers 8
- Fine Adjustment Screws 9
- Opto-Mechanics & Sets 10
- Light Test & Measurement Instruments 11
- Lasers & Accessories 12

Phone: +370-5-2651474 Fax: +370-5-2651483
 e-mail: sales@standa.lt
 www.standa.lt





**8MKVDOMV-1
available for Vacuum!**


SPECIFICATIONS

	8MKVDOM-1-DC	8MKVDOMV-1
Optics diameter, mm		25.4
Clear aperture, mm		23
Tilt/tip range, °		±2.5
Angular Resolution:		
by horizontal, arcsec.		1.5
by vertical, arcsec.		1.75 arcsec. in the middle tilt of platform
Type of actuator	8CMA16DC-13/15	8CMA16DCV-13/15
Lead screw pitch, mm		0.25
Cable		integrated, 1.2 m length
Motor connector		HDB15(M)
Type of motor	DC motor DCE1524	Vacuum compatible DC motor DCE1841
Recommended controller		8SMC4-USB

ORDERING INFORMATION

8MKVDOM-1	Mount with stepper motor for Ø25.4 mm (1 inch)
8MKVDOM-1-DC	Mount with DC motor for Ø25.4 mm (1 inch)
8MKVDOMV-1	Vacuum Compatible Mount with DC motor for Ø25.4 mm (1 inch)
8MKVDOM-2	Mount with stepper motor for Ø50.8 mm (2 inch) and 8 mm thickness optics
8MKVDOM-2-DC	Mount with DC motor for Ø50.8 mm (2 inch) and 8 mm thickness optics
8MKVDOMV-2	Vacuum Compatible Moun with DC motor for Ø50.8 mm (2 inch) and 8 mm thickness optics
8MKVDOM-2-05	Mount with stepper motor for Ø50.8 mm (2 inch) and 12.7 mm thickness optics
8MKVDOM-2-05-DC	Mount with DC motor for Ø50.8 mm (2 inch) and 12.7 mm thickness optics
8MKVDOMV-2-05	Vacuum Compatible Moun with DC motor for Ø50.8 mm (2 inch) and 12.7 mm thickness optics

Motorized Vertical Drive Optical Mount with DC motor

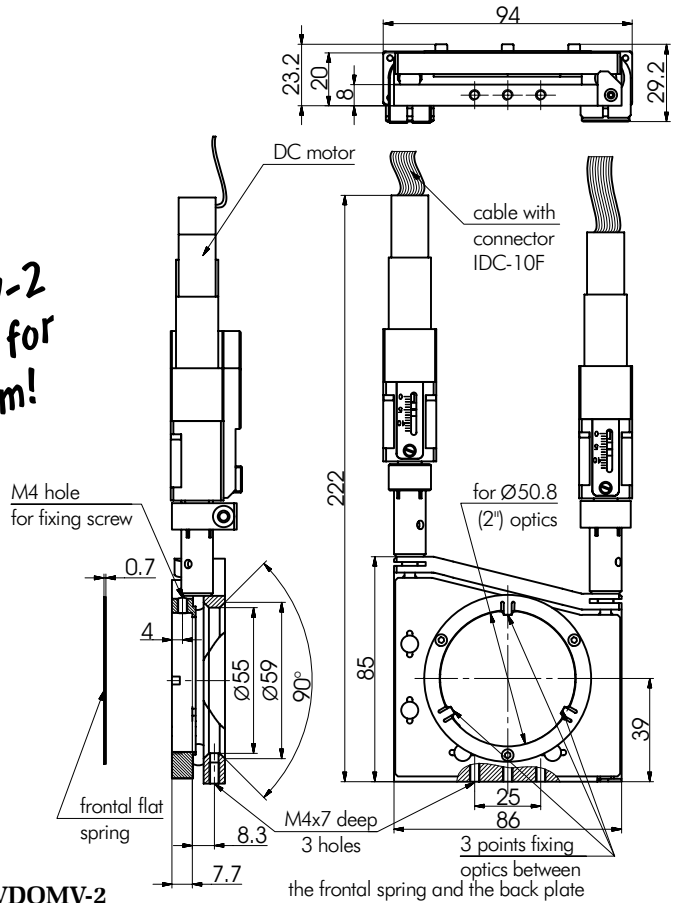
8MKVDOM-2-DC

8MKVDOMV-2

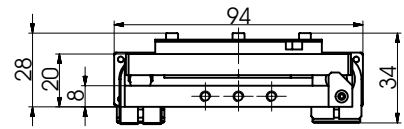


8MKVDOMV-2 available for Vacuum!

8MKVDOMV-2-05 – for 12.7 mm thickness optics we recommend Optical Mount with Supporting Adapter.



8MKVDOM-2-DC / 8MKVDOMV-2



8MKVDOM-2-05-DC / 8MKVDOMV-2-05

SPECIFICATIONS	8MKVDOM-2-DC	8MKVDOMV-2
Optics diameter, mm		50.8
Clear aperture, mm		48
Tilt/tip range, °		±2.5
Angular Resolution:		
by horizontal, arcsec.		1
by vertical, arcsec.		1.25 arcsec. in the middle tilt of platform
Type of actuator	8CMA16DC-13/15	8CMA16DCV-13/15
Lead screw pitch, mm		0.25
Cable		integrated, 1.2 m length
Motor connector		HDB15(M)
Type of motor	DC motor DCE1524	Vacuum compatible DC motor DCE1841
Recommended controller		8SMC4-USB

Stepper, BLDC and DC Motor Controller with USB Interface



2 axis Controller in box
8SMC4-USB-B9-2

Assembly kit to fix two or more controller boxes together



Assembly kit
5AK-B9-B9

www.standa.it

e-mail: sales@standa.it

Fax: +370-5-2651483

Phone: +370-5-2651474

standa

- Optical Tables 1
- Brackets & Rails 2
- Base Mounts & Accessories 3
- Optical Mounts 4
- Optical Positioners 5
- Base Positioners 6
- Translation & Rotation Stages 7
- Motorised Positioners & Controllers 8
- Fine Adjustment Screws 9
- Opto-Mechanics & Sets 10
- Light Test & Measurement Instruments 11
- Lasers & Accessories 12

Motorized Flipper Mount

8MFM-1

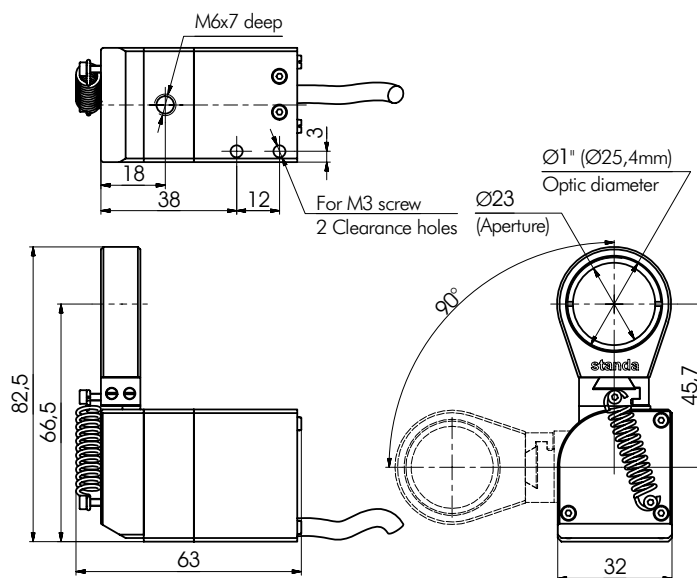


- Controlled with button, handset, external trigger or 8SMC4-USB controller
- Mechanical hard stops ensure repeatable positioning
- M6x7 threaded hole for post mounting
- Remote handset with SMA I/O connectors
- Single cable solution for space saving
- Ø2" optical mount on request

Motorized Flipper Mount 8MFM-1 is designed for fast and precise Ø1" (25.4 mm) optical components flip in and flip out of beam path. Reaching 90° flip position takes less than 0.4 s. Mechanical hard stops ensure repeatable positioning. **Flipper mount 8MFM-1** performs with great

repeatability, stability and long lifetime. Filters, mirrors or pinholes can be easily mounted into the holder and fastened using two fluoroplastic rings and retaining nut. Optics holders for fast switching between different optics can be ordered separately. Due its fast flip time the 8MFM-1 can be used as beam shutter.

Flipper Mount has two M3 clearance holes on the side and M6x7 deep threaded mounting hole at the bottom, which aligns with optical axis.



NEW



SPECIFICATIONS

Flip positions	0 and 90°
Flip time	<0.4 s
Optic diameter	Ø25.4 mm (1")
Optics thickness, max	7 mm
Flip to flip repeatability	≤50 µrad
Maximum torque	0.33 Nm
Digital I/O Connector type	SMA (2 places)
Power input	9 V-12 V
Weight	160 g

ORDERING INFORMATION

8MFM-1	- Motorized Flipper Mount
K1011007	- Power Supply (12 V; 0.7 A)
4FOM-1	- Optics holder (additional)



- by PC using **8SMC4-USB controller** or customer's own device
- or by PC via external SMA connectors



- by the button on the top of the flipper

Motorized flipper mount can be controlled



- **remote handset** (included with **8MFM-1**)



Remote handset itself is equipped with SMA input and output connectors*.

*The I/O connectors use TTL signal levels (from 0 V to 5 V). Via input user can control holder position and via output determine position of it.

K1011007 – power supply 12 V; 0,7 A



This flipper mount requires **9 – 12 V power supply** unit to operate.



www.standa.it

e-mail: sales@standa.it



Fax: +370-5-2651483

Phone: +370-5-2651474



standa



Optical Tables

1

Brackets & Rails

2

Base Mounts & Accessories

3

Optical Mounts

4

Optical Positioners

5

Base Positioners

6

Translation & Rotation Stages

7

Motorised Positioners & Controllers

8

Fine Adjustment Screws

9

Opto-Mechanics & Sets

10

Light Test & Measurements Instruments

11

Lasers & Laser Accessories

12

Motorized Mirror Mount

8MMA60



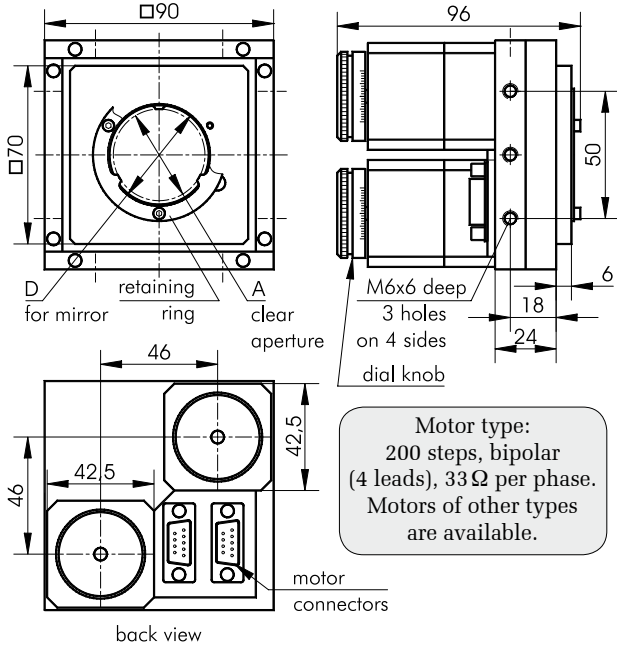
Motorized Mirror Mounts 8MMA60 are designed for precise angular alignment of optical elements. Platform is **tilted** about **two axes**. A **retaining ring** keeps optics in a non-through mounting opening of the platform.

The ring is fixed by 3 screws. It has **3 dents** with which it **clamps** optics against similar **3 rests** in the platform.

The **dents** are exactly opposite to the **rests** – this **minimizes deformation**.

SPECIFICATIONS

Tilt range	5° both axes
Visual reading	dial knobs graduated in 200 steps per revolution
Resolution	0.0016° (0°00'06") per step
Optics accepted	(see the drawing)
	diameter (D) , and clear aperture (A) :
	8MMA60-1 Ø25.4 mm (1"), A=21.4 mm
	8MMA60-40 Ø40 mm, A=36 mm
	8MMA60-2 Ø50.8 (2"), A=46.8 mm
	custom sizes available
Optics thickness	10 mm (retaining rings for custom thickness available)
Material	black anodized aluminium
Weight	1.08 kg



Motor type:
200 steps, bipolar
(4 leads), 33Ω per phase.
Motors of other types
are available.

Motorized Vertical Translation Stage

8MVT188-20



Motorized Vertical Translation Stage 8MVT188-20 boasts our unique design. Being very compact, it provides smooth and stable adjustment of height. It has a large travel range, and it supports large loads. While moving the platform stays parallel to the base.

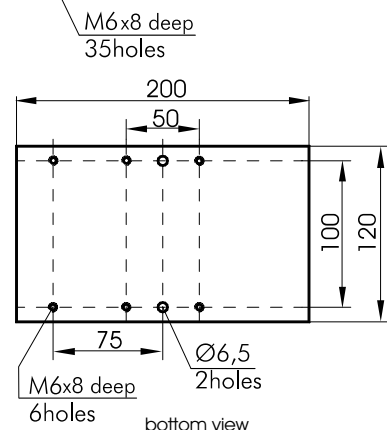
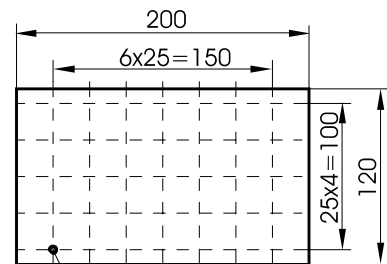
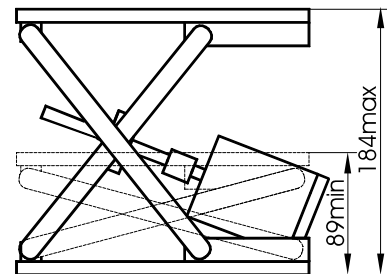
Examples of use: making up for height differences during the set up; automation of technological processes, like laser welding.

A stepper motor type – **5918**, 200 steps. Customer can specify any other types of motors to install. Load capacity and speed all greatly depend on the motor. We can test and select an appropriate motor for your requirements.

The lead screw acts at a varying angle, so the resolution of the stage varies with position.

The platform has an array of **M6** holes spaced by **25 mm**. The base has **six M6** and **two Ø6.5** holes.

Material: black anodized aluminium.



- Pantograph design
- 16 ball bearings
- Stepping motor drive
- Precision lead screw
- 95 mm vertical travel
- Height: min 89 mm max 184 mm
- Top and bottom plates parallel to 1 mm
- Load capacity 8 kg (depending on motor and controller)
- Supply voltage – 36 V
- Weight: 4.3 kg