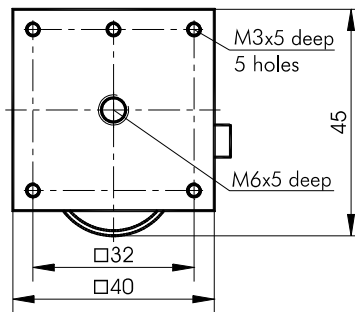
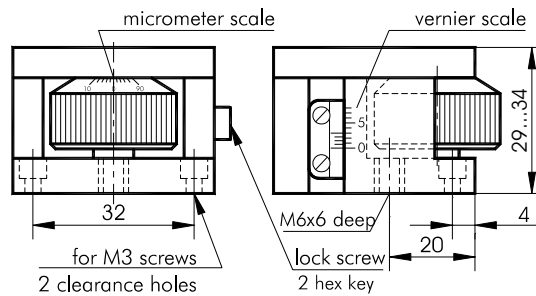


# Aluminium Ball Bearing Vertical Stages

**7VT174-5**


- Travel range 5 mm
- Lockable
- Stacks directly with stages of 174 and 184 series

Adjustable Height Post Holder  
3TPH-13  
see page 5-34



7R174  
stacked on  
7VT174-5

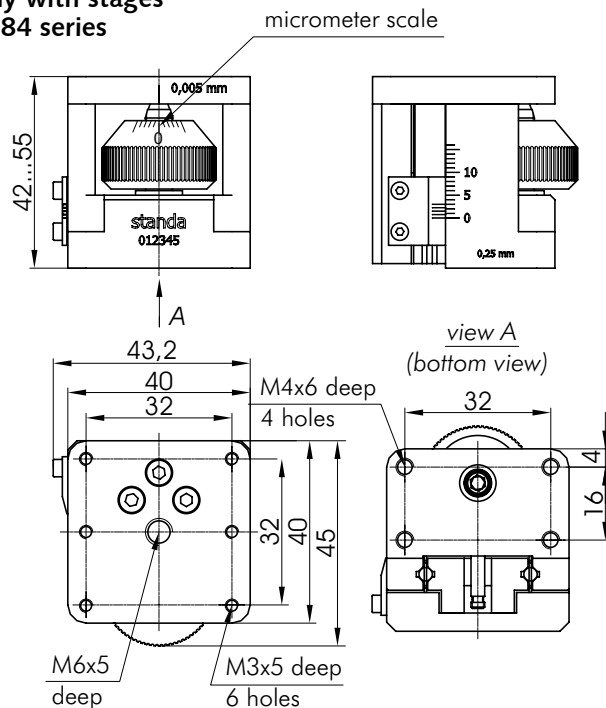
## SPECIFICATIONS

Sensitivity	1 $\mu\text{m}$
Tracking accuracy	1 $\mu\text{m}$
Reading accuracy	5 $\mu\text{m}$
Load capacity	3 kg
Material	Aluminium
Finish	Black anodized
Weight	0.15 kg

# Vertical Stage

**7VT40-13**


- Travel range 13 mm
- Stacks directly with stages of 174 and 184 series



## SPECIFICATIONS

Sensitivity	1 $\mu\text{m}$
Tracking accuracy	1 $\mu\text{m}$
Reading accuracy	5 $\mu\text{m}$
Load capacity	5 kg
Material	Aluminium
Finish	Black anodized
Weight	0.25 kg

Resolution up to 0.03  $\mu\text{m}$

Specifications of  
Motorized Vertical Stage  
8MVT40-13  
See page 8-62



www.standa.it

e-mail: sales@standa.it

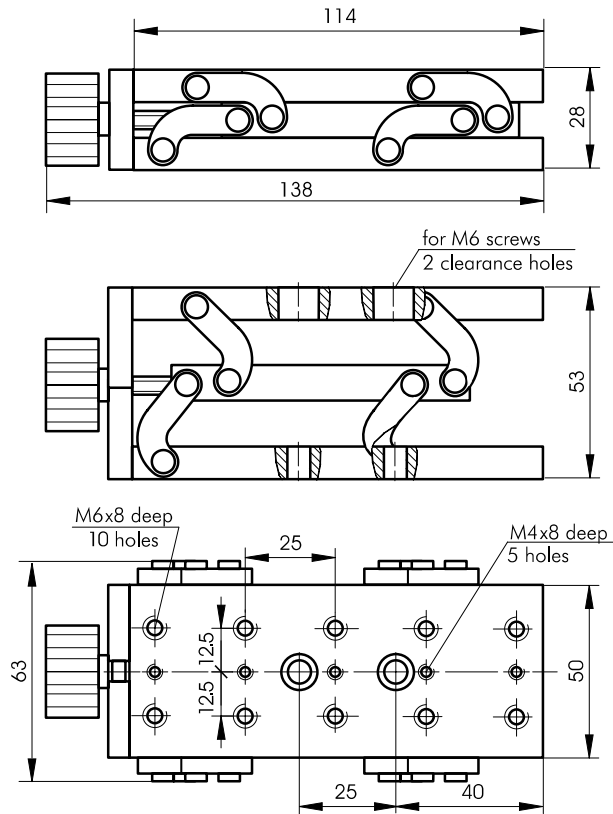


Fax: +370-5-2651483

Phone: +370-5-2651474


**standa**


# Adjustable Height Platform

**7VT173-25**


**Adjustable Height Platform 7VT173-25** of original design is a stable **vertical** translation stage of **25 mm** travel range. Maximum load capacity – **3 kg**. A polished lead screw has **0.5 mm** pitch. It allows to define the height of a platform with **20 μm** sensitivity.

Arrays of mounting holes **M6** and  $\varnothing$ **6.5** with **25 mm** spacing are identical on the upper and lower plates.

Adjustable Height Platform is ideal for use with **7T175-50** or **8MT175-50** Translation Stages when it is necessary to define one or two horizontal coordinates at a certain height.

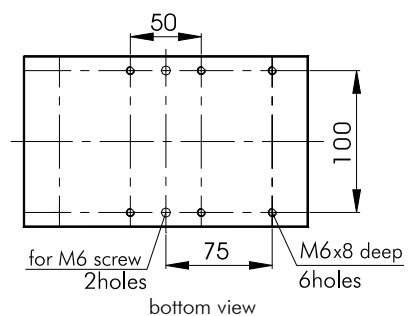
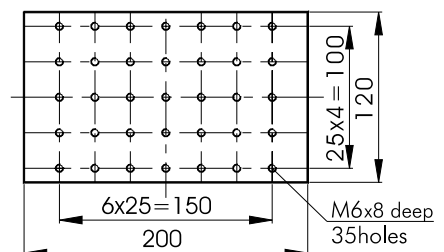
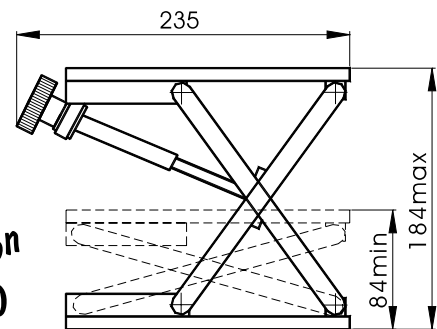
The platform is produced from black anodized aluminium, the lead screw block is produced from stainless steel and bronze.

Weight **0.5 kg**

# Vertical Translation Stage

**7VT188-20**


*Available  
Motorized version  
8MVT188-20*



**Vertical Translation Stage 7VT188-20** boasts our unique design. Being very compact, it provides smooth and stable adjustment of height. It has a large travel range, and it supports large loads. While moving the platform stays parallel to the base.

The lead screw acts at a varying angle, so the resolution of the stage varies with position.

The platform has an array of **M6** holes spaced by **25 mm**. The base has **six M6** and **two  $\varnothing$ 6.5** holes.

Material: black anodized aluminium.

Weight **2.52 kg**

- Pantograph design
- 16 ball bearings
- Precision lead screw
- 100mm vertical travel
- Height: min 84 mm  
max 184 mm
- Top and bottom plates parallel to 1 mm
- Load capacity 7 kg