

# Universal Adjustable Lens/Optics Mounts

**4LM149**

for METRIC and INCH



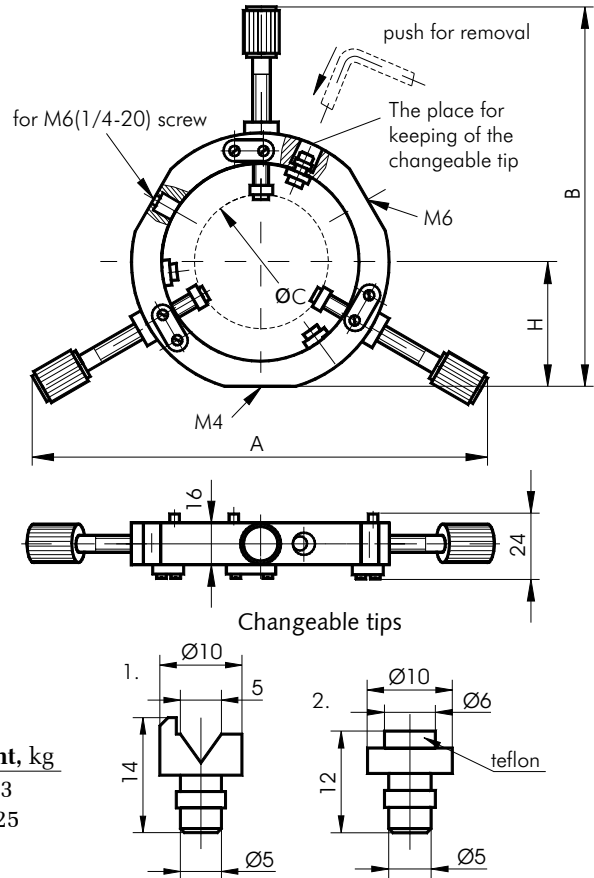
- Holding of cylindrical objects of various diameters
- Three mounting options
- Convenient storage of tips which are not used at the moment
- Quick coarse positioning and diameter setting possibility
- Made of black anodized aluminium



**Universal Adjustable Lens/Optics Mounts 4LM149-10 and 4LM149-05** are used to accommodate any round any thickness objects as lenses, mirrors and lasers. Three support shafts of holder are assembled with non-rotating V-groove aluminium universal interchangeable tips for lenses mirrors, etc. While not in use the new non-abrasive flat teflon face aluminium support ring. Long objects like cylindrical laser heads can be held with two chucks together with Multiple Mounting Plates 2MP.

Each individual adjustable shaft of holder incorporates threaded thumbscrew, sliding sleeve and fixation tool for rough positioning and diameter setting. It is enough to give only a twist thumbscrew of the shaft to provide a fine adjustment travel.

Three various mounting holes M4, M6, and  $\varnothing 6.4$ ,  $\varnothing 11 \times 4$  provides various and easy attachment possibilities to the Tables, Breadboards and the STANDA Rod Holder system.



Model	A, mm	B, mm	C, mm	H, mm	Weight, kg
4LM149-10	164-210	158-185	38-103	65.7	0.3
4LM149-05	134-164	124-141	10-66	49.1	0.25

# Optical Component Mounts

**4OCM**

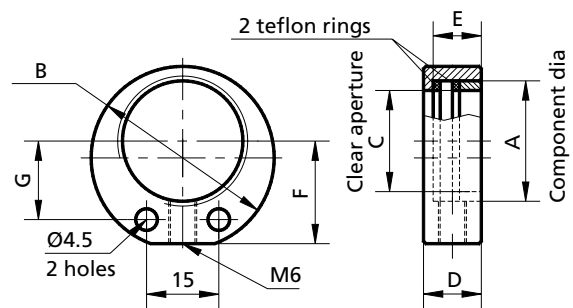


4OCM-20

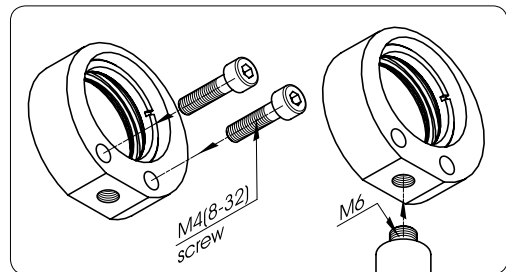
**Optical Component Mounts 4OCM** can be used to hold round and thin optical elements of standard sizes. Mounts vary in dimensions so as to support diameters from 10 to 50 mm (0.5" to 2"). Original design allows to decrease the mount's dimensions and weight.

Mounting holes: one M6 and two  $\varnothing 4.5$  mm.

Material: black aluminium.



	A	B	C	D	E	F	G	Weight
4OCM-10	12.7 (0.5")	26	8	12	10	13.5	8.5	0.01kg
4OCM-20	20	33	17	12	10	18.8	13.8	0.02kg
4OCM-25	25.4 (1")	38	23	12	10	21.3	16.3	0.02kg
4OCM-40	40	53	37	18	16	28.8	23.8	0.04kg
4OCM-50	50.8 (2")	65	48	18	16	34.8	29.8	0.05kg
4OCM-75	75	89	72	18	16	46.5	42	0.06kg



# Self-Centering Lens/Optics Mounts

## 4SCML

- 40 mm, 2", 4" optics mounts
- Easy insertion and removal of optics



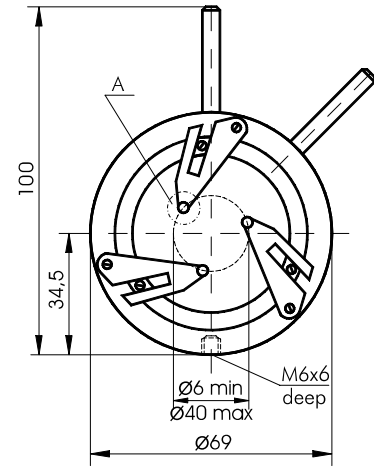
4SCML-4



4SCML-2

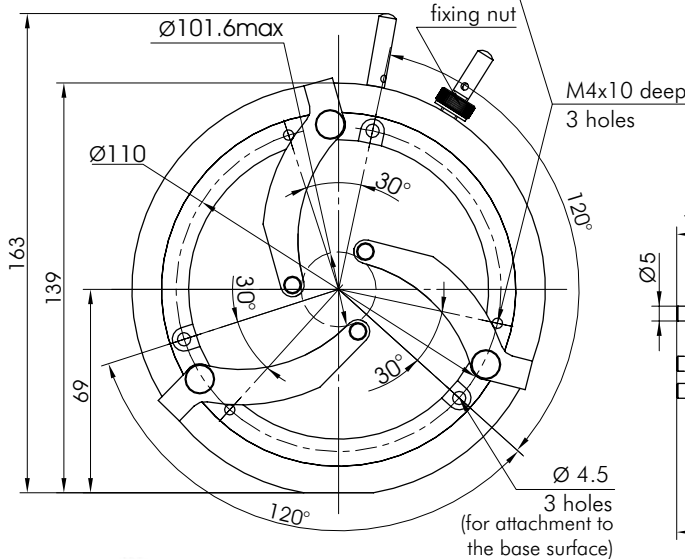
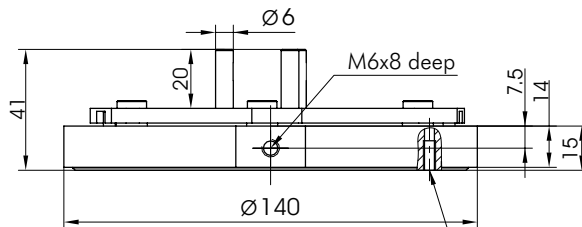
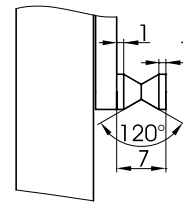


4LM13-40

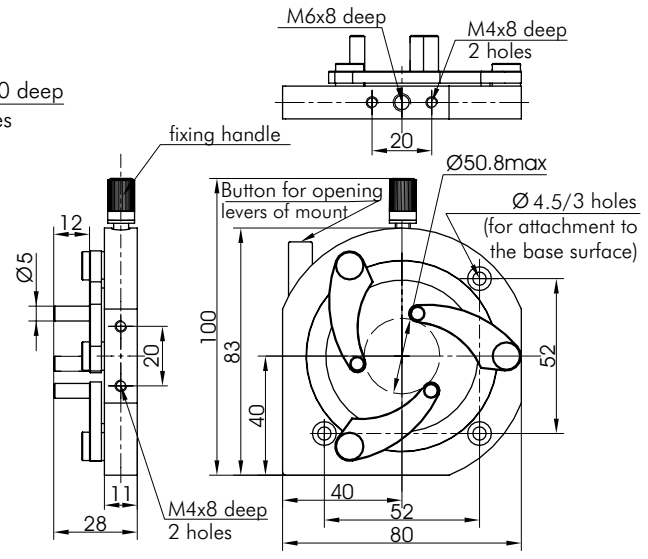


4LM13-40

View A



4SCML-4



4SCML-2



**Self-Centering Lens/Optics Mounts** reliably centres and securely holds round optics and cylindrical objects. This device is particularly valuable when lenses of different diameters are being used interchangeably, as repeated centering at constant height is necessary.

When released the three arms grip the lens in deep grooved jaws, automatically centering the lens within the holder.

The Self-Centering Lens/Optics Mounts can mount on STANDA Posts for easy adjustment of vertical height and azimuthal angle.

Model	Weight, kg
4LM13-40	0.07
4SCML-2	0.19
4SCML-4	0.38



# Self-Centering Lens/Optics Mount

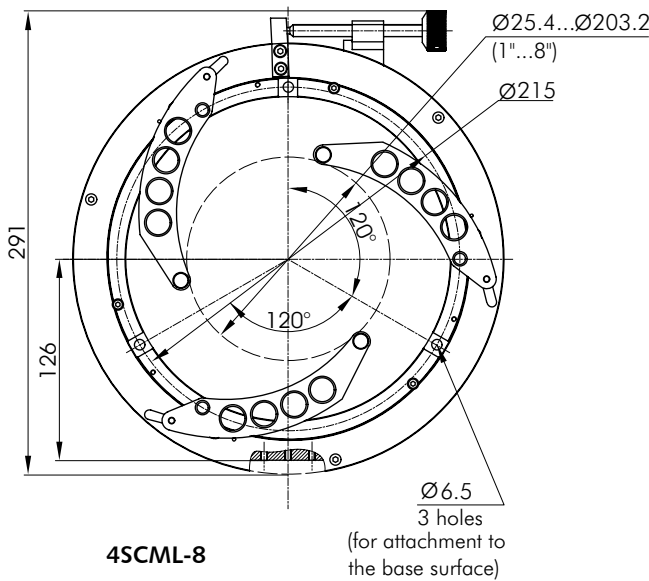
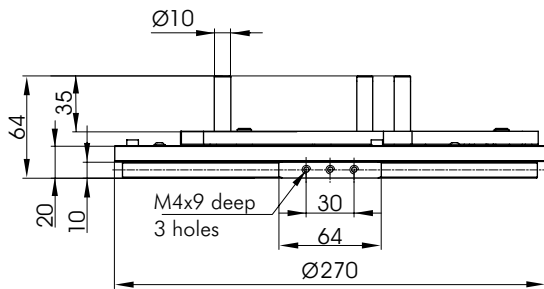
## 4SCML-8



4SCML-8

- For optics up to 8" in diameter
- Adjustable range from 1" (25 mm) to 8" (203 mm)
- 3 mounting holes Ø6.5 mm are made for mounting to flat object
- Reverse operation – holding hollow objects from inside
- Made of black anodized aluminium and black oxidation steel

**Self-Centering Optics Mount 4SCML** reliably centres and securely holds round optics and cylindrical objects. This device is particularly valuable when lenses of different diameters are being used interchangeably and repeated centering at constant height is necessary. The Self-Centering Optics Mount **4SCML-8** accommodates optics up to **8 inch (203.2 mm)** and is oversized to provide easy finger access for inserting and removing optics. Optical elements are fixed and centered at the same time by adjusting driving screw at the top of the device. Heavy optical components are secured by wedged rods.



4SCML-8

Model	Weight, kg
4SCML-8	1.8
3BP-4SCML-8	0.05

**3BP-4SCML-8**

**3BP-4SCML-8** is our recommended **Base Plate** used to fix **4SCML-8** to optical table or other suitable bases. Mounting base plates of different shapes can be manufactured to customer's order. **3BP-4SCML-8 Base Plate** is included with **4SCML-8** by default. You can order additional base-plates separately.



e-mail: sales@standa.it

www.standa.it



Phone: +370-5-2651474

Fax: +370-5-2651483



# Self-Centering Lens/Optics Mount

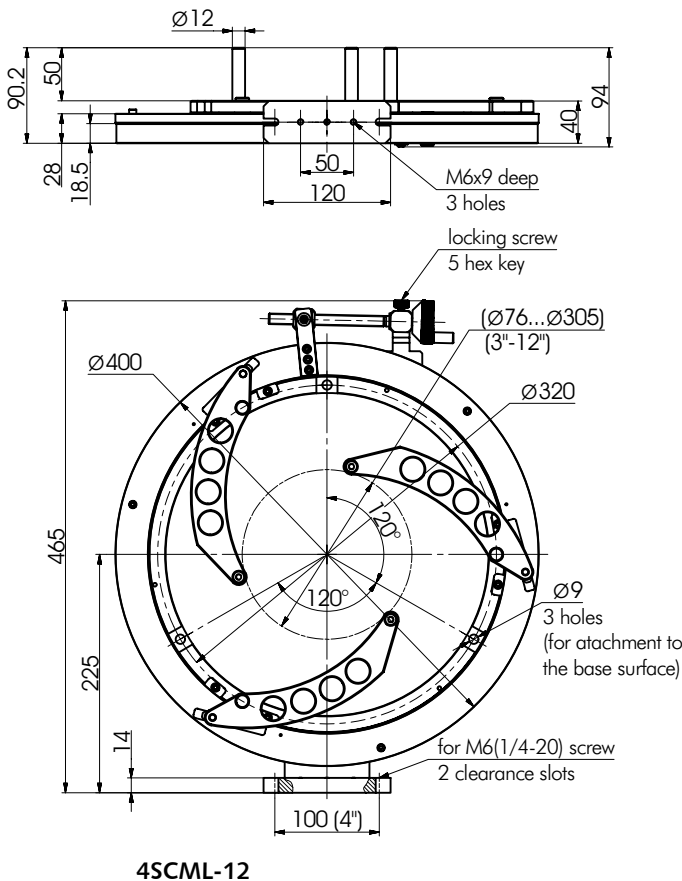
## 4SCML-12



4SCML-12

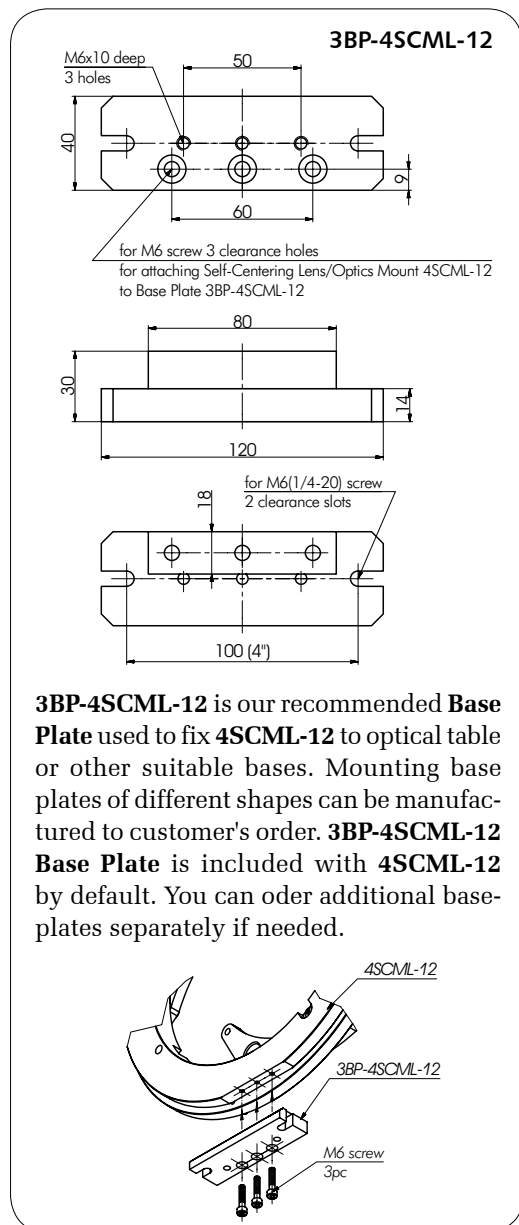
- For optics up to 12" in diameter
- Locking screw for secure mounting
- Adjustable range from 3" (76 mm) to 12" (305 mm)
- 3 mounting holes  $\varnothing 9$  mm are made for mounting to flat object
- Reverse operation - holding hollow objects from inside
- Made of black anodized aluminium and black oxidation steel

**Self-Centering Optics Mount 4SCML-12** reliably centres and securely holds round optics and cylindrical objects. This device is particularly valuable when lenses of different diameters are being used interchangeably and repeated centering at constant height is necessary. The Self-Centering Optics Mount **4SCML-12** – up to **12 inch (305 mm)** and is oversized to provide easy finger access for inserting and removing optics. Optical elements are fixed and centered at the same time by adjusting driving screw at the top of the device. Heavy optical components are secured by wedged rods.

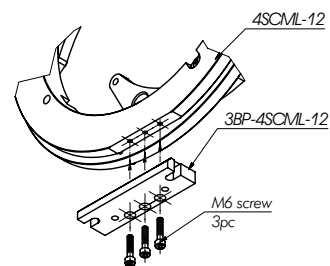


4SCML-12

Model	Weight, kg
4SCML-12	7.35
3BP-4SCML-12	0.05



**3BP-4SCML-12** is our recommended **Base Plate** used to fix **4SCML-12** to optical table or other suitable bases. Mounting base plates of different shapes can be manufactured to customer's order. **3BP-4SCML-12 Base Plate** is included with **4SCML-12** by default. You can order additional base-plates separately if needed.



www.standa.it

e-mail: sales@standa.it



Phone: +370-5-2651483

Fax: +370-5-2651474



**standa**

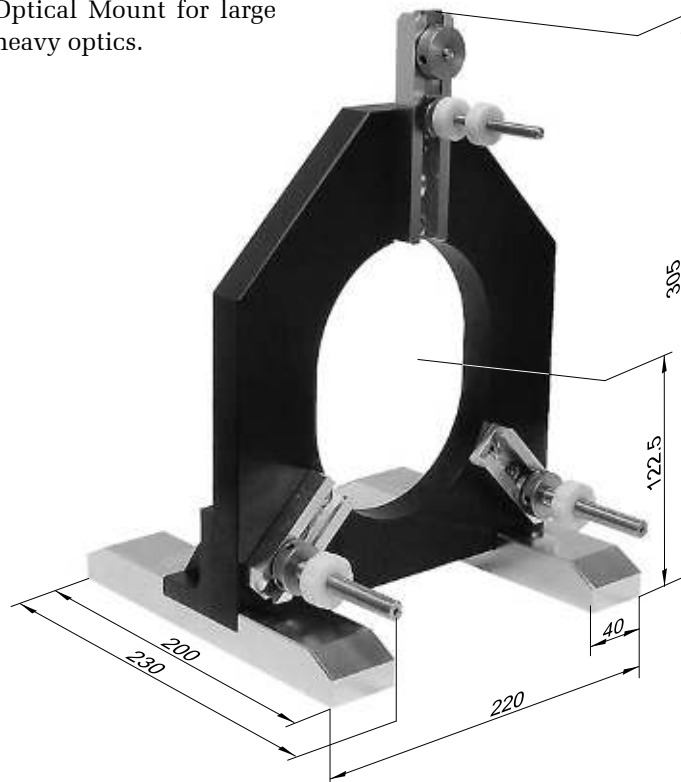


# Big Optical Mount

**4BM-250**

- Optics diameter 115 ÷ 250 mm
- Optics thickness 52 mm
- Load capacity 6 kg
- Weight 5.3 kg

Big Optical Mount for large and heavy optics.



# Adjustable Radius Optics Mounts

**4LM42**

- For lenses, mirrors, lasers - any round objects
- Lenses are easily removed and replaced
- Accommodate any lens shape and thickness

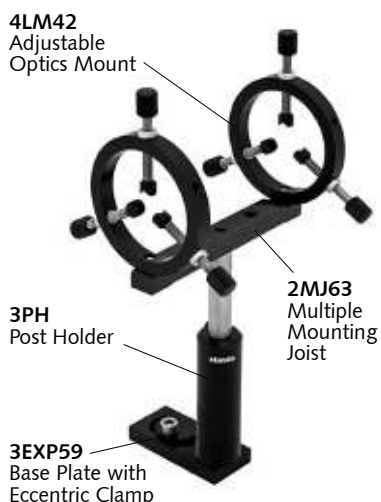
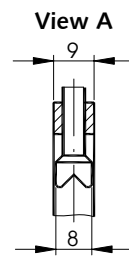
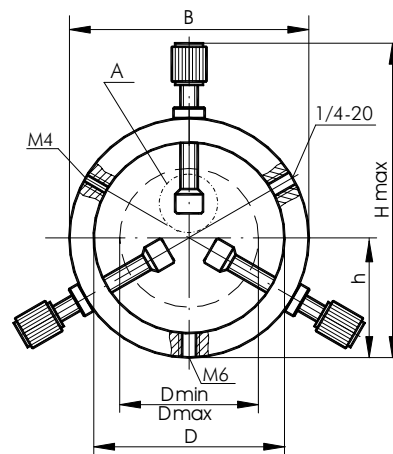
*for METRIC and INCH*



An Adjustable Radius Optics Mount 4LM42 provide rigid support and assured orientation for round objects of virtually any thickness and length.

Installing optics is easy: set the lower support rods at any desired radius, insert your element, and adjust the top rod downward for secure hold of the optics. Long objects can be held by two holders together with the Multiple Mounting Joist 2MJ63.

The black anodized aluminum rings have M6 tapped hole for attachment to any STANDA Stage, Table or Support, including STANDA Mounting Posts 3MP6. The Adjustable Radius Optics Mount 4LM42 has three black finished steel plungers and all of them are screw adjustable. This mount accepts lenses with edge thickness of up to 6.5 mm.



Model	B, mm	D, mm	H <sub>max</sub> , mm	h, mm	d <sub>min</sub> , mm	d <sub>max</sub> , mm	Weight, kg
4LM42-40	Ø69	Ø55	100	34.5	Ø6	Ø40	0.06
4LM42-2	Ø82	Ø68	120	41	Ø12.7	Ø50.8	0.07

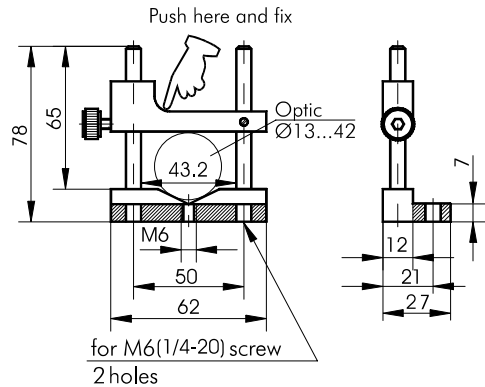
## Push Holder

**4H29**

- Special method of fixation
- Holds optics of 12.5 to 42 mm diameter
- Holds thin lenses or long-barrel lens assemblies



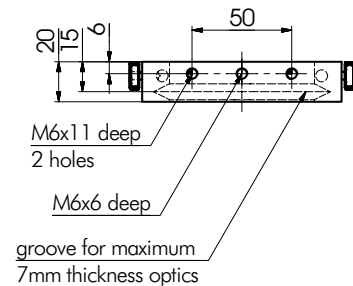
**Push Holders 4H29** holds optics of any shape or configuration: round and rectangular, with negligible loss of clear aperture, even at large angles of incidence. The top support is clamped in position pushing the special place and tightening the knurled screw. This provides gentle but firm fixation. After mounting the component and holder can be exchanged completely as one unit. The Push Holder 4H29 are made of black anodized aluminium.


 Weight: **0.14 kg**

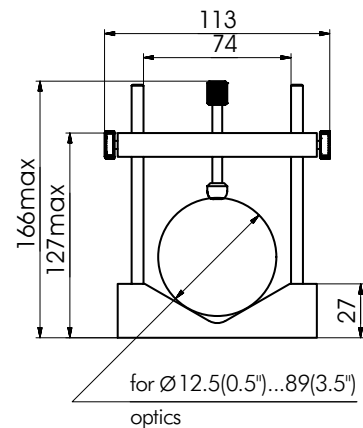
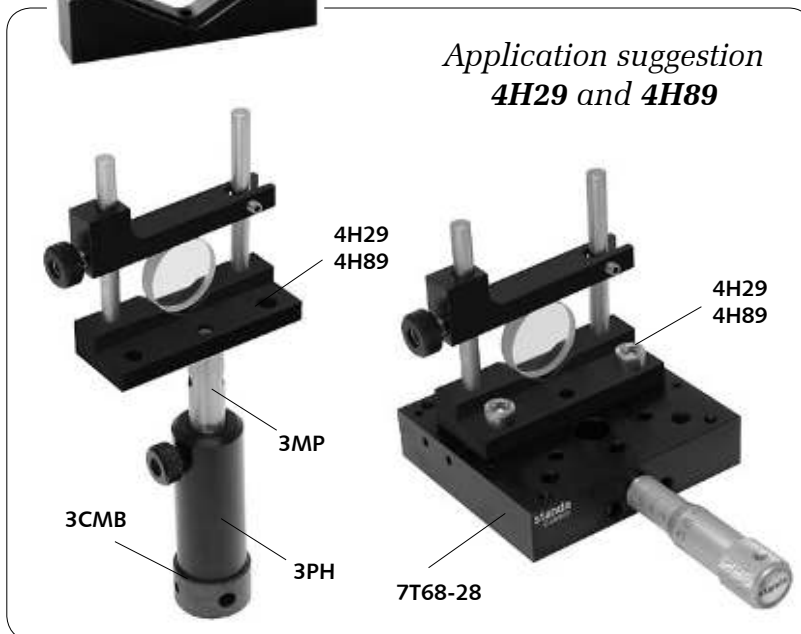
## Adjustable Height V-Mount

**4H89**

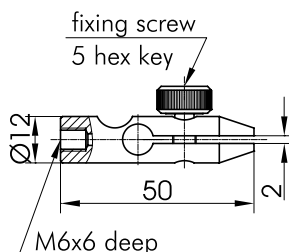
- Special method of fixation
- Holds optics of 12.5 mm (0.5") to 89 mm (3.5") diameter
- Clamping screw with V-shaped swivel head
- Material: black anodized aluminium
- Weight 0.1 kg



*Application suggestion  
4H29 and 4H89*



## Plate Clamp

**4PC69**


**Plate Clamp 4PC69** holds thin light-weight plates, like filters, transparencies, resolution targets and razor blades used in knife edge experiments.

These black anodized aluminium Clamps may be **directly** screwed for example to the mounting stud of a Mounting Post **3MP6** or to a Base Plate with Rotary Clamp **3EXC45**.

 Weight: **0.04 kg**


www.standa.it

e-mail: sales@standa.it



Fax: +370-5-2651483

Phone: +370-5-2651474


**standa**

 Optical  
Tables

 1  
Brackets  
& Rails

 2  
Base  
Mounts &  
Accessories

 3  
Optical  
Mounts

 4  
Optical  
Positioners

 5  
Base  
Positioners

 6  
Translation &  
Stages

 7  
Motorised  
Positioners &  
Controllers

 8  
Fine  
Adjustment  
Screws

 9  
Opto-  
Mechanics &  
Sets

 10  
Light Test &  
Measurement  
Instruments

 11  
Lasers &  
Accessories

12

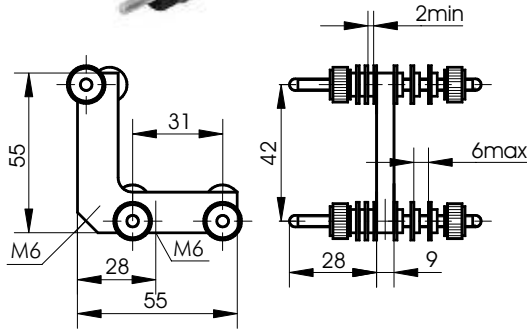
# Multiple Filter Holder

**4FH57**



**Multiple Filter Holder 4FH57** allows fixation of up to **6 filters**. The thickness of the optical filter or plate to be held is from **2 mm** to **6 mm**. The Holder is made of black finished aluminium. Separators are made of plastic. **M6** tapped mounting holes provide L and V oriented filter positioning.

Weight: **0.12 kg**



4FH57 Multiple Filter Holder

3MP Mounting Post

3PH Post Holder

3BP4-02 Base Plate



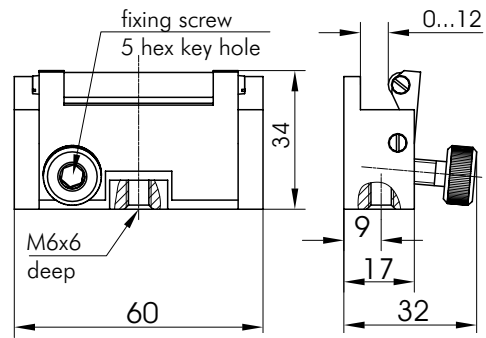
# Universal Plate Holder

**4PH132**



**Universal Plate Holder 4PH132** holds long and thick components, and can fix elements from **0 to 12 mm** in thickness. **M6** hole for mounting on posts provided in base.

Weight: **0.07 kg**



*Suitable for Optics of Various Shapes*  
**UNIVERSAL PLATE HOLDER 4PH132**

- 1 Optical Tables
- 2 Brackets & Rails
- 3 Base Mounts & Accessories
- 4 Optical Mounts
- 5 Optical Positioners
- 6 Base Positioners
- 7 Translation & Rotation Stages
- 8 Motorised Positioners & Controllers
- 9 Fine Adjustment Screws
- 10 Opto-Mechanics & Sets
- 11 Light Test & Measurement Instruments
- 12 Lasers & Laser Accessories

# Multiple Filters Holder

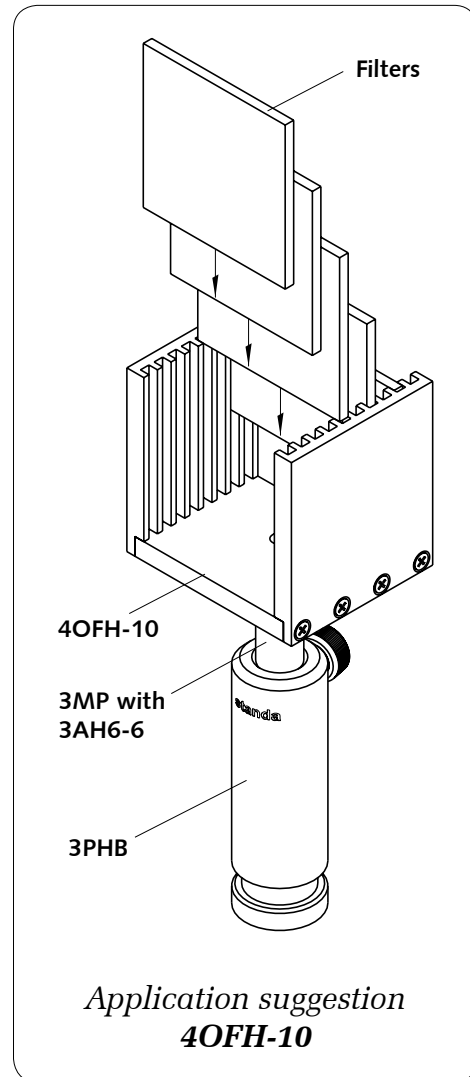
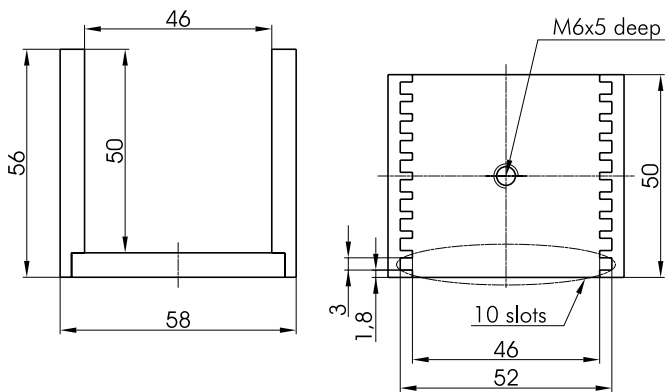
## 4OFH-10



- Designed for 2" Square Filters
- Filter Thickness 3mm
- Can Mount 10 Filters
- Material: black anodized aluminium

**4OFH-10 Multiple Filter Holder** provides convenient means of working with large number of optical filters, especially when filters are changed frequently.

Can be used as a low-cost replacement of filter attenuator.



Visit [www.standaphotonics.com](http://www.standaphotonics.com)

**Complete general and polarizing OPTICS CATALOGUE now available from Standa!**

**Ask for a free copy!**



www.standa.it  
e-mail: sales@standa.it

Phone: +370-5-2651474 Fax: +370-5-2651483

**standa**

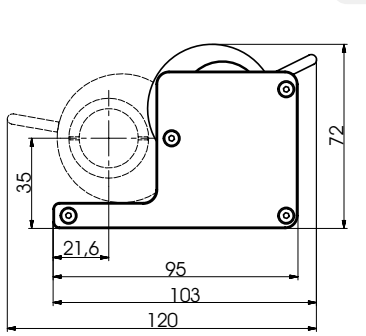
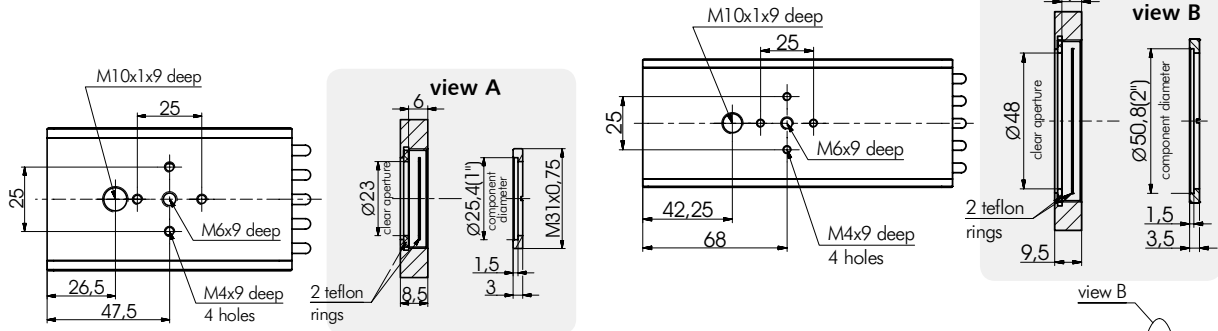
- Optical Tables 1
- Brackets & Rails 2
- Base Mounts & Accessories 3
- Optical Mounts 4**
- Optical Positioners 5
- Base Positioners 6
- Translation & Rotation Stages 7
- Motorised Positioners & Controllers 8
- Fine Adjustment Screws 9
- Opto-Mechanics & Sets 10
- Light Test & Measurement Instruments 11
- Lasers & Laser Accessories 12



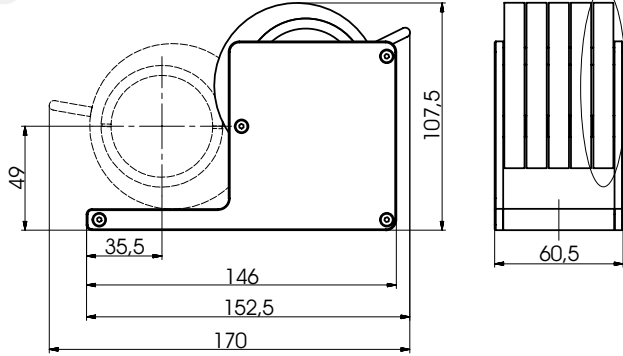


4VFH-5-2

**4VFH Variable Filter Holder** provides a possibility flipping filters in and out of the optical path. Filter replacement is fast and easy. Two models are available - for **25.4 (1") mm** and for **50.8 mm (2")** optical filters. Maximum filter **thickness** for 1" models is **4.5 mm**, and **4 mm** for 2" model. Standard models have five slots for filter mounting. All contact surfaces are covered with plastic to prevent scratches. Holders with different mounting slot quantity are available on request. M10x1 mouting hole is made in the base of the holder for fastening on optical tables or post holders. **4VFH** is made of **black anodized aluminium** (body and mounting slots). The standard models come **without filters**.



4VFH-5-1



4VFH-5-2

**SPECIFICATIONS**

	4VFH-5-1	4VFH-5-2
Optics diameter	25.4 mm (1")	50.8 mm (2")
Maximum optics thickness	4 mm	4.5 mm
Filter slots	5	5

**CUSTOM REQUESTS ARE WELCOME!!!**



4VFH-5-2

Variable Filter Holders

4VFH-5-1

3UBP-04  
Universal Base Plate

## Bar Clamp • V-Clamp

**4BC32 • 4VC41**


4BC32



4VC41

**Bar Clamp 4BC32 and V-Clamp 4VC41** are used for clamping of components directly to flats like a surface of an optical table or translation stage. The V-Clamp **4VC41** is used to hold round optical elements such as lenses. The Bar Clamp **4BC32** is used to hold prismatic elements like glass blocks, prisms, cells. Clamp adjustment range (maximal gap) is **59 mm**. The Bar Clamp **4BC32** and V-Clamp **4VC41** can be mounted anywhere where **M6** threaded holes are available.

 Weight: **0.07 kg**

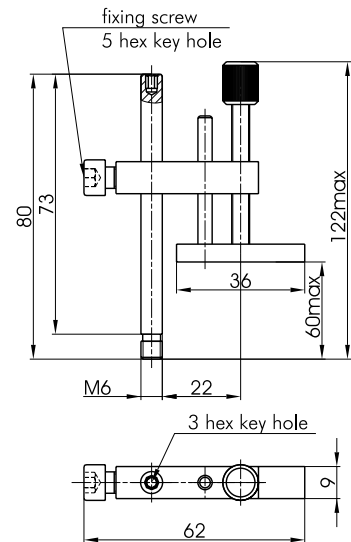

4VC41

5PM57

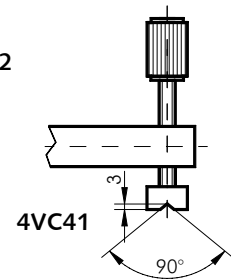


4BC32

5PM57



4BC32



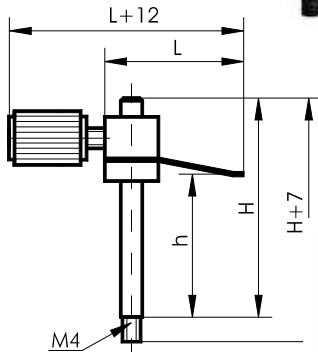
4VC41

## Spring Clamps

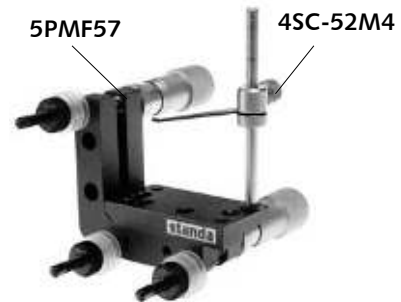
**4SC**


**Spring Clamps 4SC** are used to clamp components directly to surfaces of optical tables or translation stages. These Clamps are used to hold prismatic elements like glass blocks, prisms, cells.

The Spring Clamps **4SC** have an **M4** external screw and can be mounted anywhere where **M4** threaded holes are available.

 Weight **0.02 kg**


Model	h, mm	H, mm	L, mm
4SC-52M4	0...52	65.5	40
4SC-28M4	0...28	41.5	26
4SC-28T	0...28	41.5	26



5PMF57

4SC-52M4



4SC-52M4

6PT169

**standa**

 5OM111  
Optics Mount

 3SMP4-47  
Mounting Post

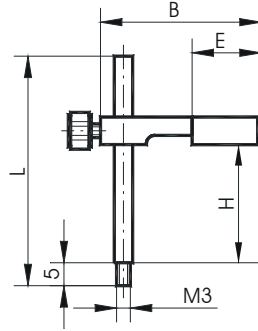
 3PH-33  
Post Holder

 3RBP-39  
Round Base Plate

 4SC-28T  
Spring Clamp

**4SC-28T** (includes the adapter) is designed for Mirror/Optics Mount **5OM111** when it is used as a tilting table.

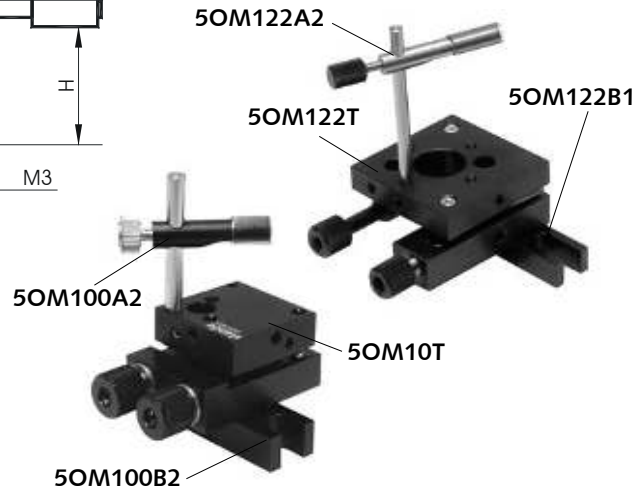
# Miniature Clamps



**5OM100A2**  
**5OM122A2**

Ideal if the mount is used as a tilt platform. A plastic clutching pad with a fixing screw allows clutching of optical elements up to 1". The rod has a mounting thread **M3**. So the clamp combines with any units, which has **M3** holes.

Model	H, mm	L, mm	B, mm	E, mm
5OM100A2	0...25.4	35	25	8
5OM122A2	0...40	50	35	15

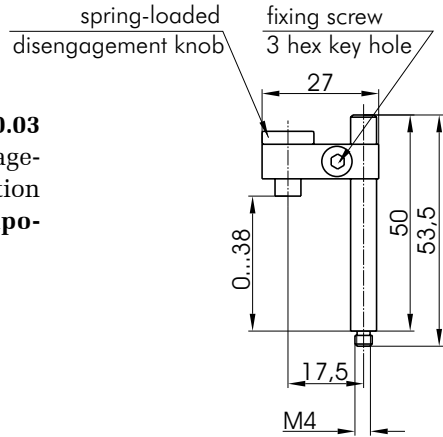


# Mounting Clamp

**6PT110.03**



The Mounting Clamp **6PT110.03** with a spring-loaded disengagement knob allows easy insertion and removal of **optical components up to 38 mm**.

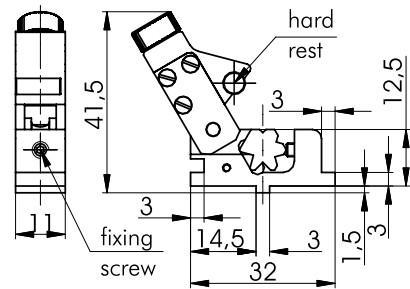


# Adjustable Force Fiber Clamp

**7FA1**



- V-Grooved insert has 5 different V-Grooves and one flat surface
- V-Grooves are suitable for fibers or cylindrical optical elements in the range of 125 μm to 2 mm in diameter (5 places) + one flat surface
- Adjustable force fiber clamping arm, 20 to 250 g
- Knob on the top is for adjusting the clamping force
- Compatible with 7TF2



# Fiber Cable Clamp

**7FA4**



- This accessory prevents cabled fiber from being accidentally disturbed. Designed for cables fiber of 900 μm – 3 mm diameter
- Compatible with 7TF2

